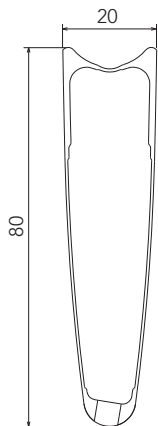


BORA ULTRA 80

TUBULAR

RIM



FRONT RIM
REAR RIM
VALVE HOLE
VALVE EXTENSION
VALVE HOLE BUSHING
DIAMETER
BRAKE SHOES

WH-101BO80 (bright) - WH-101BO80DK (dark)
WH-102BO80 (bright) - WH-102BO80DK (dark)
6,5 mm
UT-WH160M (male extension) - UT-WH160F (female extension)
WH-BUU002 (5 pcs.)
634 mm
for carbon rims - BR-BO500 (for brakes with retention spring or interference fixing) -
BR-BO500X (for brakes with screw fixing)

SPOKES

FRONT SPOKE
REAR RH SPOKE
REAR LH SPOKE
NIPPLES
NIPPLE INSERT
NIPPLE MAGNET
SPOKE SPANNER

WH-016BOT80
WH-018BOT80
WH-019BOT80
WH-015BO80
UT-WH160
UT-WH050
UT-WH090

4 spokes + 4 nipples
4 spokes + 4 nipples
4 spokes + 4 nipples
black - 10 pieces
magnet-attractor for nipple
nipple-guide
spoke wrenches

ACCESSORIES

Spacer for HG11 FW body

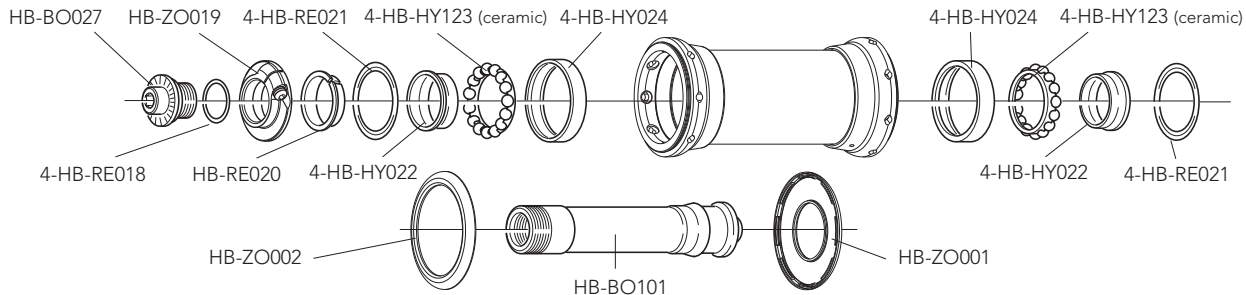
FH-BUU001

5 pcs - to be used only with 9/10s sprockets
(please note that every HG11 rear wheel/HG11 FW body package contains the spacer)

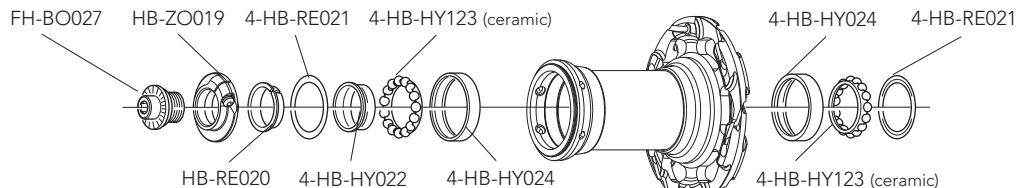
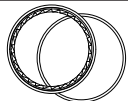
WARNING!

Because of the high temperatures reached when braking, we recommend you use only glue for tubular tires specifically for carbon fibre rims.
A causa delle alte temperature raggiunte in frenata, vi consigliamo di utilizzare solamente colla per tubolari che sia specifica per i soli cerchi in fibra di carbonio.

HUBS

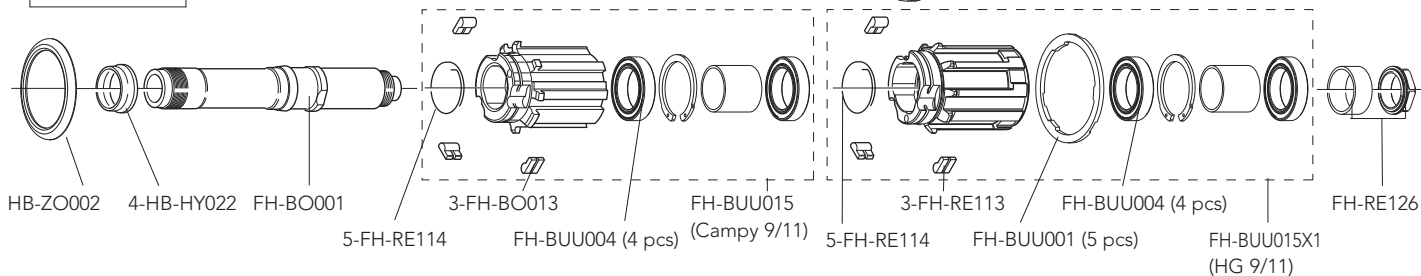


HB-BO031 (3 pcs)
 RATCHET RING /
 INSERTO A
 CREMAGLIERA
 (SERVICE CENTER only)



**HB-HY100
 CULT™ KIT**

- 2 x HB-RE021
- 2 x HB-HY022
- 2 x HB-HY024
- 2 x HB-HY123

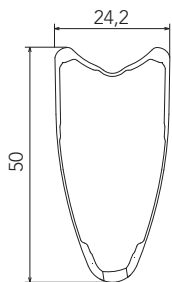


QUICK-RELEASES

QR12-BUUBFR

front + rear

RIM



FRONT RIM
 REAR RIM
 VALVE HOLE
 VALVE HOLE BUSHING
 VALVE EXTENSION
 DIAMETER
 BRAKE SHOES

WH-001BO50 (bright) / WH-001BO50DK (dark)
 WH-002BO50 (bright) / WH-002BO50DK (dark)

6,5 mm
 WH-BUU002 (5 pcs.)
 UT-HU150

634 mm
 for carbon rims - BR-BO500 (for brakes with retention spring or interference fixing) -
 BR-BO500X (for brakes with screw fixing)

SPOKES

FRONT / REAR RH SPOKE
 REAR LH SPOKE
 NIPPLES
 NIPPLE INSERT
 NIPPLE MAGNET
 SPOKE SPANNER

WH-016BOT50
 WH-019BOT50
 WH-015BO80
 UT-WH160
 UT-WH050
 UT-WH090

4 spokes + 4 nipples
 4 spokes + 4 nipples
 black - 10 pieces
 magnet-attractor for nipple
 nipple-guide
 spoke wrenches

ACCESSORIES

Spacer for HG11 FW body

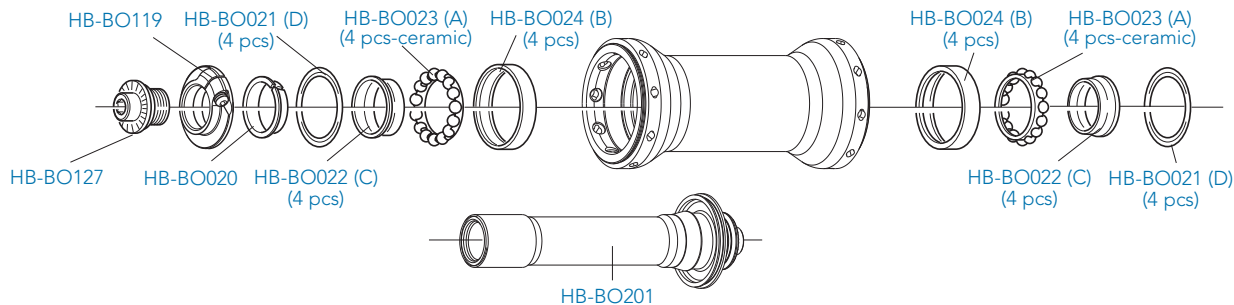
FH-BUU001

5 pcs - to be used only with 9/10s sprockets
(please note that every HG11 rear wheel/HG11 FW body package contains the spacer)

WARNING!

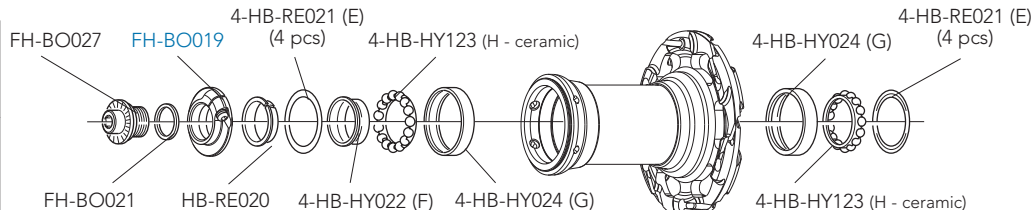
Because of the high temperatures reached when braking, we recommend you use only glue for tubular tires specifically for carbon fibre rims.
 A causa delle alte temperature raggiunte in frenata, vi consigliamo di utilizzare solamente colla per tubolari che sia specifica per i soli cerchi in fibra di carbonio.

HUBS

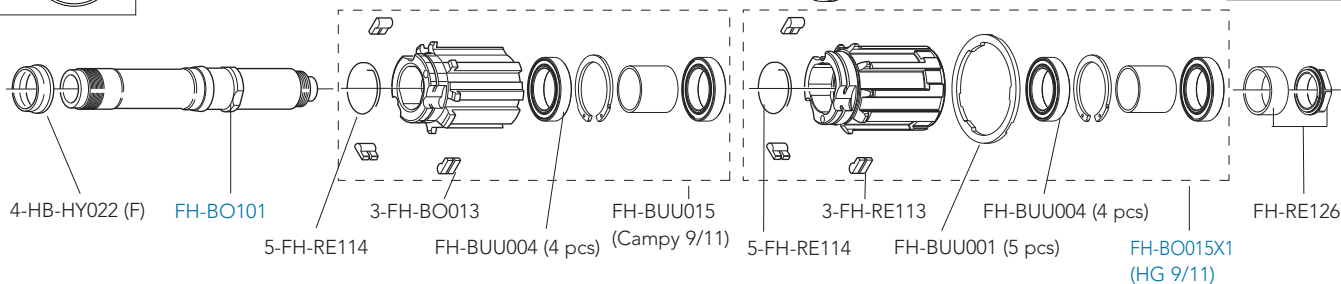


**HB-BO100
CULT™ KIT**
front
2 x A, 2 x B,
2 x C, 2 x D

HB-BO031 (3 pcs)
RATCHET RING /
INSERTO A
CREMAGLIERA
(SERVICE CENTER only)



**HB-HY100
CULT™ KIT**
2 x A, 2 x B,
2 x C, 2 x D

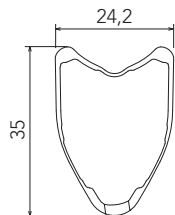


QUICK-RELEASES

QR11-20FRB

front + rear

RIM



FRONT RIM
 REAR RIM
 VALVE HOLE
 VALVE HOLE BUSHING
 DIAMETER
 BRAKE SHOES

WH-101BO35 (bright) - WH-101BO35DK (dark)
 WH-102BO35 (bright) - WH-102BO35DK (dark)
 6,5 mm
 WH-BUU002 (5 pcs.)
 634 mm
 for carbon rims - BR-BO500 (for brakes with retention spring or interference fixing) -
 BR-BO500X (for brakes with screw fixing)

SPOKES

FRONT / REAR RH SPOKE
 REAR LH SPOKE
 NIPPLES
 NIPPLE INSERT
 NIPPLE MAGNET
 SPOKE SPANNER

WH-019BOT35
 WH-018BOT35
 WH-015BO80
 UT-WH160
 UT-WH050
 UT-WH090

4 spokes + 4 nipples
 4 spokes + 4 nipples
 black - 10 pieces
 magnet-attractor for nipple
 nipple-guide
 spoke wrenches

ACCESSORIES

Spacer for HG11 FW body

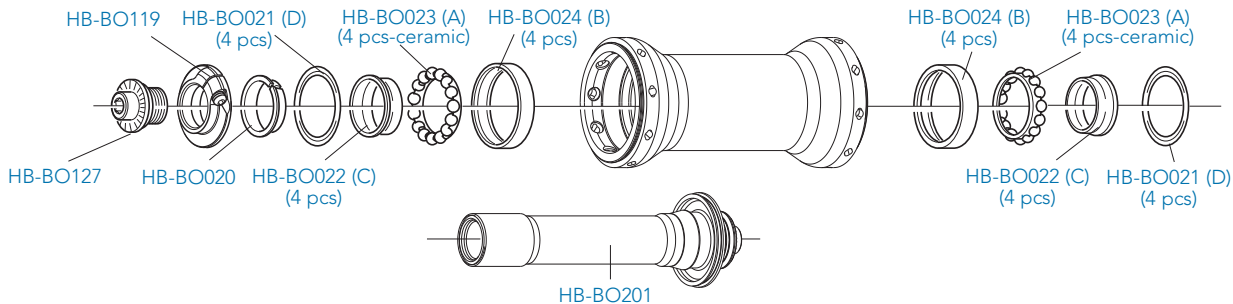
FH-BUU001

5 pcs - to be used only with 9/10s sprockets
(please note that every HG11 rear wheel/HG11 FW body package contains the spacer)

WARNING!

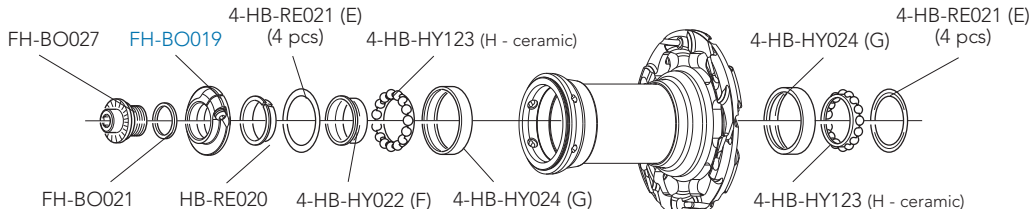
Because of the high temperatures reached when braking, we recommend you use only glue for tubular tires specifically for carbon fibre rims.
 A causa delle alte temperature raggiunte in frenata, vi consigliamo di utilizzare solamente colla per tubolari che sia specifica per i soli cerchi in fibra di carbonio.

HUBS

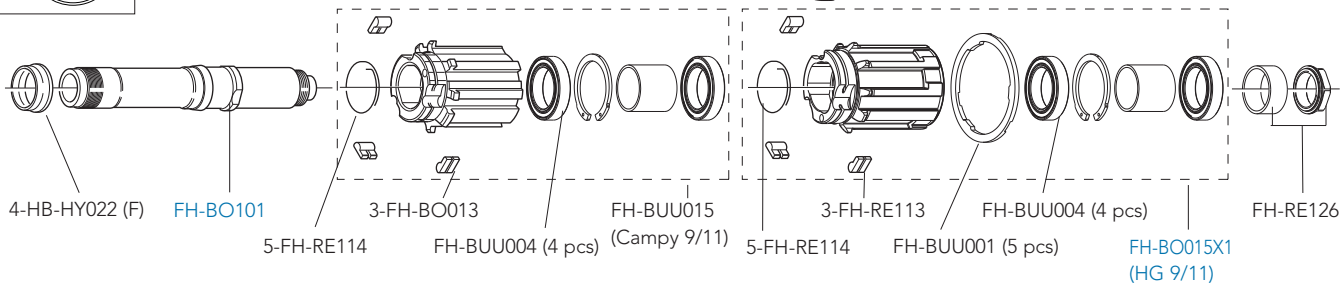


**HB-BO100
CULT™ KIT**
front
2 x A, 2 x B,
2 x C, 2 x D

HB-BO031 (3 pcs)
RATCHET RING /
INSERTO A
CREMAGLIERA
(SERVICE CENTER only)



**HB-HY100
CULT™ KIT**
2 x A, 2 x B,
2 x C, 2 x D

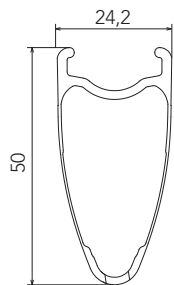


QUICK-RELEASES

QR11-20FRB

front + rear

RIM



FRONT RIM
 REAR RIM
 VALVE HOLE
 VALVE HOLE BUSHING
 VALVE EXTENSION
 DIAMETER
 BRAKE SHOES

WH-003BO50 (bright) / WH-003BO50DK (dark)
 WH-004BO50 (bright) / WH-004BO50DK (dark)

6,5 mm
 WH-BUU002 (5 pcs.)
 UT-HU150

700C (622 x 17C)
 for carbon rims - BR-BO500 (for brakes with retention spring or interference fixing) -
 BR-BO500X (for brakes with screw fixing)

SPOKES

FRONT / REAR RH SPOKE
 REAR LH SPOKE
 NIPPLES
 NIPPLE INSERT
 NIPPLE MAGNET
 SPOKE SPANNER

WH-016BOT50
 WH-019BOT50
 WH-015BO80
 UT-WH160
 UT-WH050
 UT-WH090

4 spokes + 4 nipples
 4 spokes + 4 nipples
 black - 10 pieces
 magnet-attractor for nipple
 nipple-guide
 spoke wrenches

ACCESSORIES

Spacer for HG11 FW body

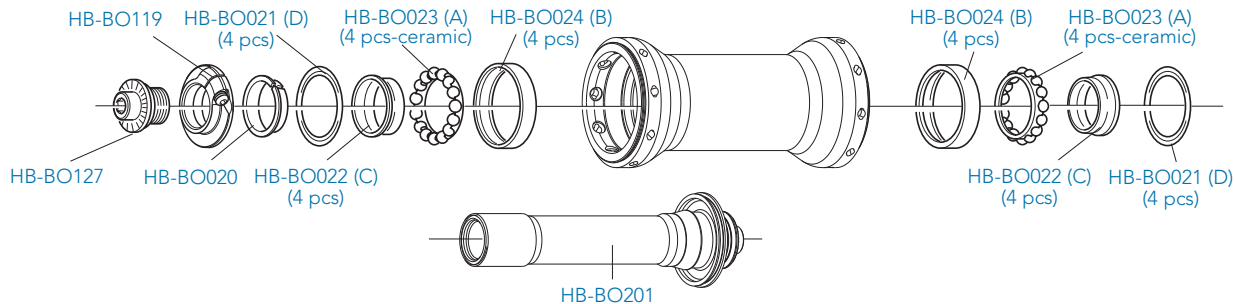
FH-BUU001

5 pcs - to be used only with 9/10s sprockets
(please note that every HG11 rear wheel/HG11 FW body package contains the spacer)

WARNING!

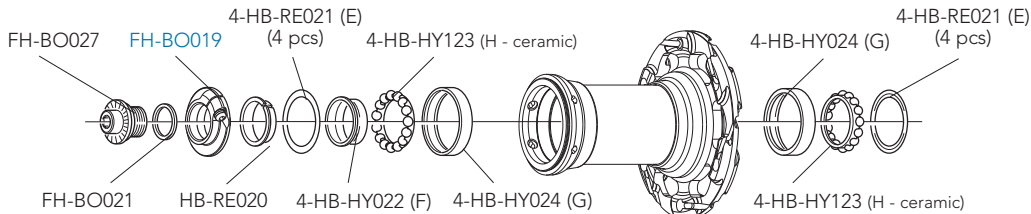
Because of the high temperatures reached when braking, we recommend you use only glue for tubular tires specifically for carbon fibre rims.
 A causa delle alte temperature raggiunte in frenata, vi consigliamo di utilizzare solamente colla per tubolari che sia specifica per i soli cerchi in fibra di carbonio.

HUBS

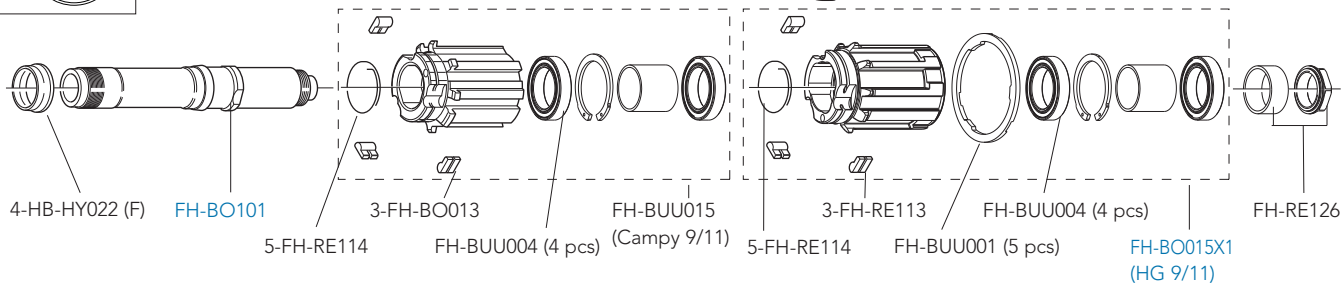


**HB-BO100
CULT™ KIT**
front
2 x A, 2 x B,
2 x C, 2 x D

HB-BO031 (3 pcs)
RATCHET RING /
INSERTO A
CREMAGLIERA
(SERVICE CENTER only)



**HB-HY100
CULT™ KIT**
2 x A, 2 x B,
2 x C, 2 x D

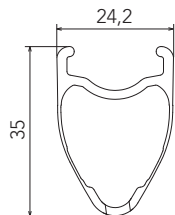


QUICK-RELEASES

QR11-20FRB

front + rear

RIM



FRONT RIM
 REAR RIM
 VALVE HOLE
 VALVE HOLE BUSHING
 DIAMETER
 BRAKE SHOES

WH-003BO35 (bright) - WH-003BO35DK (dark)
 WH-004BO35 (bright) - WH-004BO35DK (dark)
 6,5 mm
 WH-BUU002 (5 pcs.)
 700C (622 x 17C)
 for carbon rims - BR-BO500 (for brakes with retention spring or interference fixing) -
 BR-BO500X (for brakes with screw fixing)

SPOKES

FRONT / REAR RH SPOKE
 REAR LH SPOKE
 NIPPLES
 NIPPLE INSERT
 NIPPLE MAGNET
 SPOKE SPANNER

WH-019BOT35
 WH-018BOT35
 WH-015BO80
 UT-WH160
 UT-WH050
 UT-WH090

4 spokes + 4 nipples
 4 spokes + 4 nipples
 black - 10 pieces
 magnet-attractor for nipple
 nipple-guide
 spoke wrenches

ACCESSORIES

Spacer for HG11 FW body

FH-BUU001

5 pcs - to be used only with 9/10s sprockets
(please note that every HG11 rear wheel/HG11 FW body package contains the spacer)

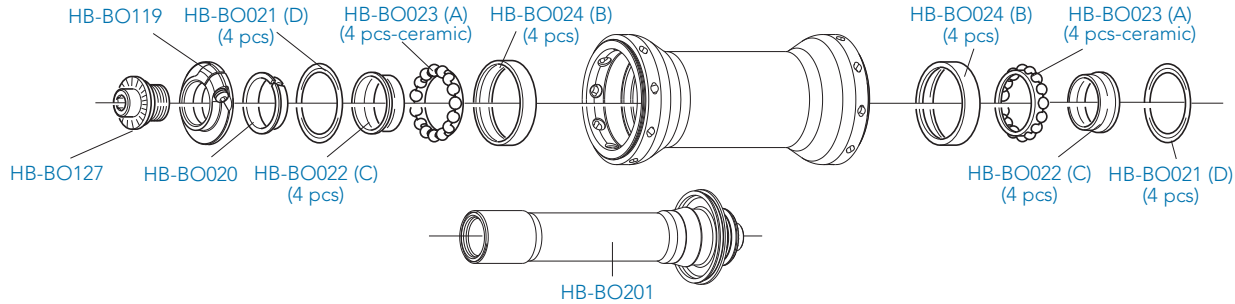
WARNING!

Because of the high temperatures reached when braking, we recommend you use only glue for tubular tires specifically for carbon fibre rims.
 A causa delle alte temperature raggiunte in frenata, vi consigliamo di utilizzare solamente colla per tubolari che sia specifica per i soli cerchi in fibra di carbonio.

BORA ULTRA 35

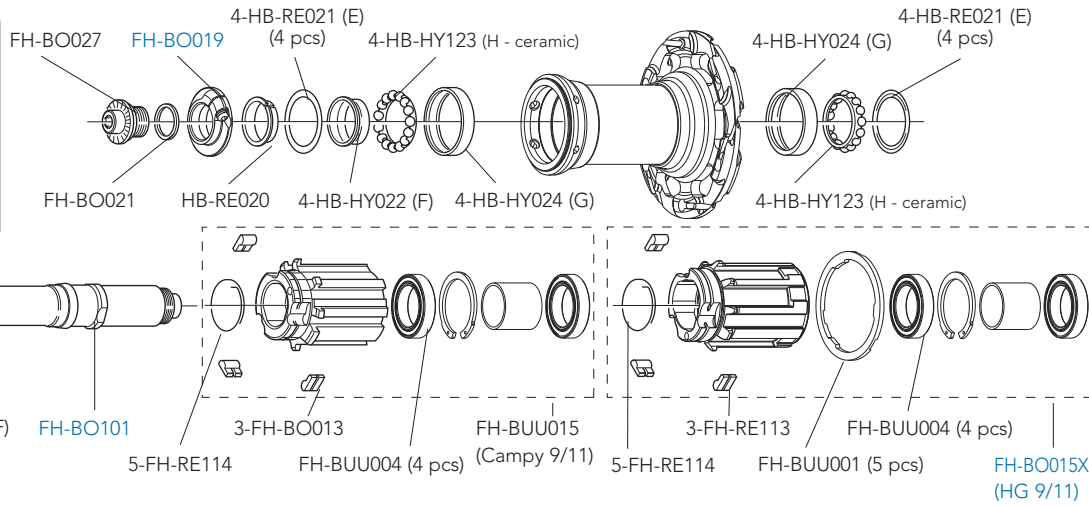
CLINCHER

HUBS



**HB-BO100
CULT™ KIT
front**
2 x A, 2 x B,
2 x C, 2 x D

HB-BO031 (3 pcs)
RATCHET RING /
INSERTO A
CREMAGLIERA
(SERVICE CENTER only)



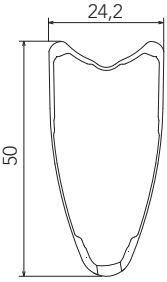
**HB-HY100
CULT™ KIT**
2 x A, 2 x B,
2 x C, 2 x D

QUICK-RELEASES

QR11-20FRB

front + rear

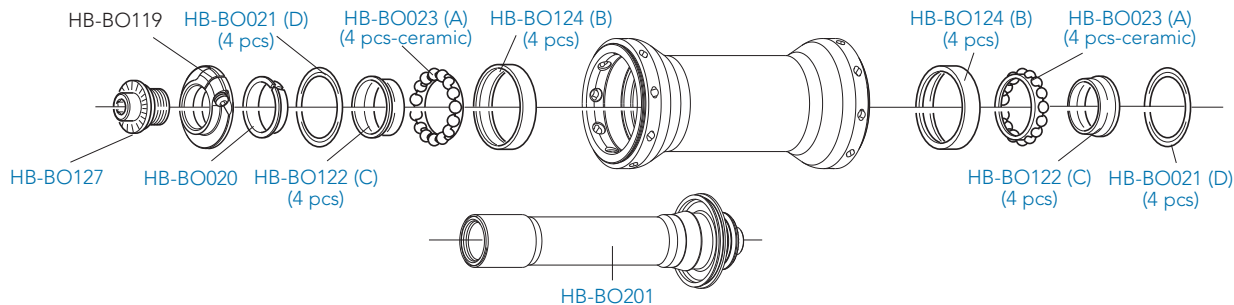
WHEELS

RIM		
	<p>VALVE HOLE VALVE EXTENSION VALVE HOLE BUSHING DIAMETER BRAKE SHOES</p>	<p>6,5 mm UT-HU150 WH-BUU002 634 mm for carbon rims - BR-BO500 (for brakes with retention spring or interference fixing) - BR-BO500X (for brakes with screw fixing)</p>
SPOKES		
<p>FRONT / REAR RH SPOKE REAR LH SPOKE NIPPLES NIPPLE INSERT NIPPLE MAGNET SPOKE SPANNER</p>	<p>WH-016BOT50 WH-019BOT50 WH-015BO80 UT-WH160 UT-WH050 UT-WH090</p>	<p>4 spokes + 4 nipples 4 spokes + 4 nipples black - 10 pieces magnet-attractor for nipple nipple-guide spoke wrenches</p>
ACCESSORIES		
<p>Spacer for HG11 FW body</p>	<p>FH-BUU001</p>	<p>5 pcs - to be used only with 9/10s sprockets <i>(please note that every HG11 rear wheel/HG11 FW body package contains the spacer)</i></p>

WARNING!

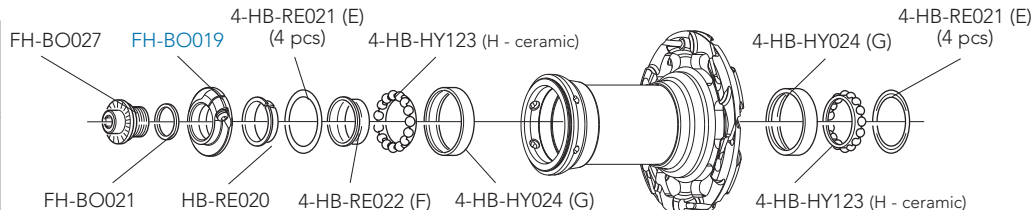
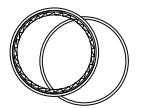
Because of the high temperatures reached when braking, we recommend you use only glue for tubular tires specifically for carbon fibre rims.
A causa delle alte temperature raggiunte in frenata, vi consigliamo di utilizzare solamente colla per tubolari che sia specifica per i soli cerchi in fibra di carbonio.

HUBS

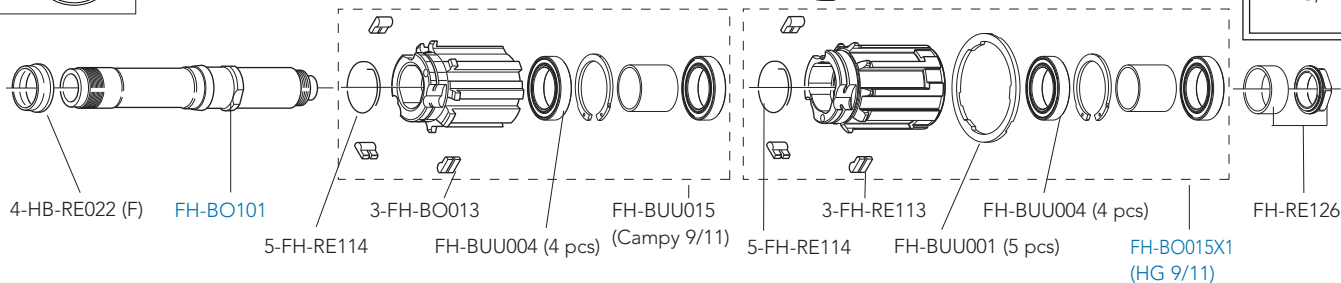


**HB-SH200
USB™ KIT**
front
2 x A, 2 x B,
2 x C, 2 x D

HB-BO031 (3 pcs)
RATCHET RING /
INSERTO A
CREMAGLIERA
(SERVICE CENTER only)



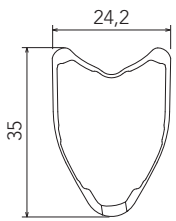
**HB-SH100
USB™ KIT**
2 x E, 2 x F,
2 x G, 2 x H



QUICK-RELEASES

QR11-20FRB

front + rear

RIM		
	VALVE HOLE VALVE HOLE BUSHING DIAMETER BRAKE SHOES	6,5 mm WH-BUU002 634 mm for carbon rims - BR-BO500 (for brakes with retention spring or interference fixing) - BR-BO500X (for brakes with screw fixing)

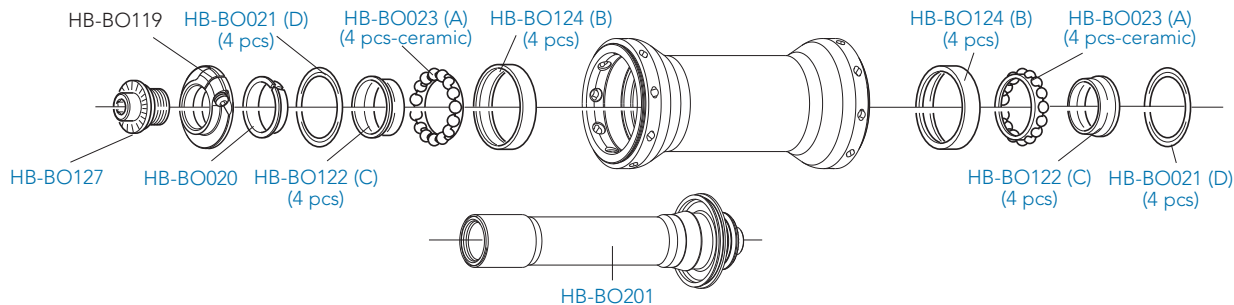
SPOKES		
FRONT / REAR RH SPOKE REAR LH SPOKE NIPPLES NIPPLE INSERT NIPPLE MAGNET SPOKE SPANNER	WH-019BOT35 WH-018BOT35 WH-015BO80 UT-WH160 UT-WH050 UT-WH090	4 spokes + 4 nipples 4 spokes + 4 nipples black - 10 pieces magnet-attractor for nipple nipple-guide spoke wrenches

ACCESSORIES		
Spacer for HG11 FW body	FH-BUU001	5 pcs - to be used only with 9/10s sprockets <i>(please note that every HG11 rear wheel/HG11 FW body package contains the spacer)</i>

WARNING!

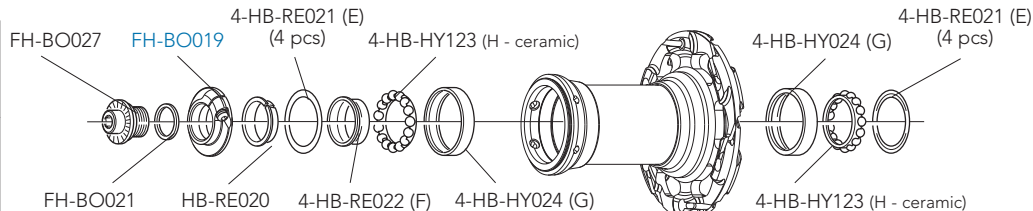
Because of the high temperatures reached when braking, we recommend you use only glue for tubular tires specifically for carbon fibre rims.
 A causa delle alte temperature raggiunte in frenata, vi consigliamo di utilizzare solamente colla per tubolari che sia specifica per i soli cerchi in fibra di carbonio.

HUBS

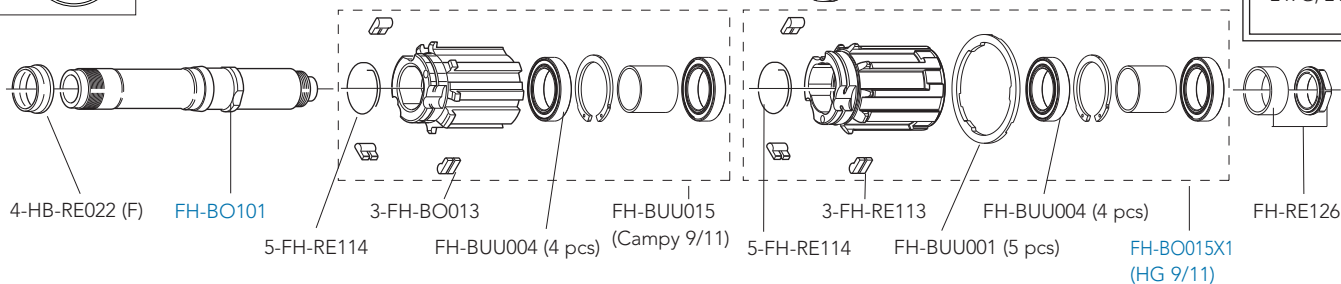


**HB-SH200
USB™ KIT**
front
2 x A, 2 x B,
2 x C, 2 x D

HB-BO031 (3 pcs)
RATCHET RING /
INSERTO A
CREMAGLIERA
(SERVICE CENTER only)



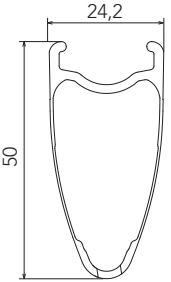
**HB-SH100
USB™ KIT**
2 x E, 2 x F,
2 x G, 2 x H



QUICK-RELEASES

QR11-20FRB

front + rear

RIM		
	VALVE HOLE VALVE EXTENSION VALVE HOLE BUSHING DIAMETER BRAKE SHOES	6,5 mm UT-HU150 WH-BUU002 700C (622 x 17C) for carbon rims - BR-BO500 (for brakes with retention spring or interference fixing) - BR-BO500X (for brakes with screw fixing)

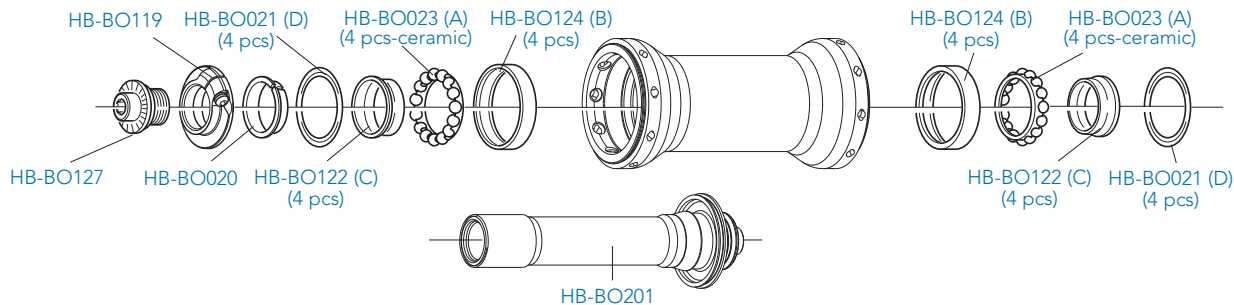
SPOKES		
FRONT / REAR RH SPOKE REAR LH SPOKE NIPPLES NIPPLE INSERT NIPPLE MAGNET SPOKE SPANNER	WH-016BOT50 WH-019BOT50 WH-015BO80 UT-WH160 UT-WH050 UT-WH090	4 spokes + 4 nipples 4 spokes + 4 nipples black - 10 pieces magnet-attractor for nipple nipple-guide spoke wrenches

ACCESSORIES		
Spacer for HG11 FW body	FH-BUU001	5 pcs - to be used only with 9/10s sprockets <i>(please note that every HG11 rear wheel/HG11 FW body package contains the spacer)</i>

WARNING!

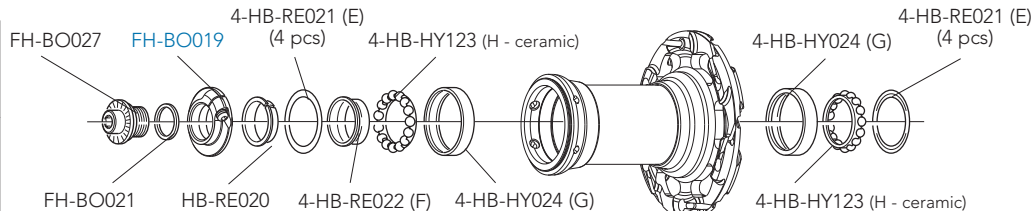
Because of the high temperatures reached when braking, we recommend you use only glue for tubular tires specifically for carbon fibre rims.
 A causa delle alte temperature raggiunte in frenata, vi consigliamo di utilizzare solamente colla per tubolari che sia specifica per i soli cerchi in fibra di carbonio.

HUBS

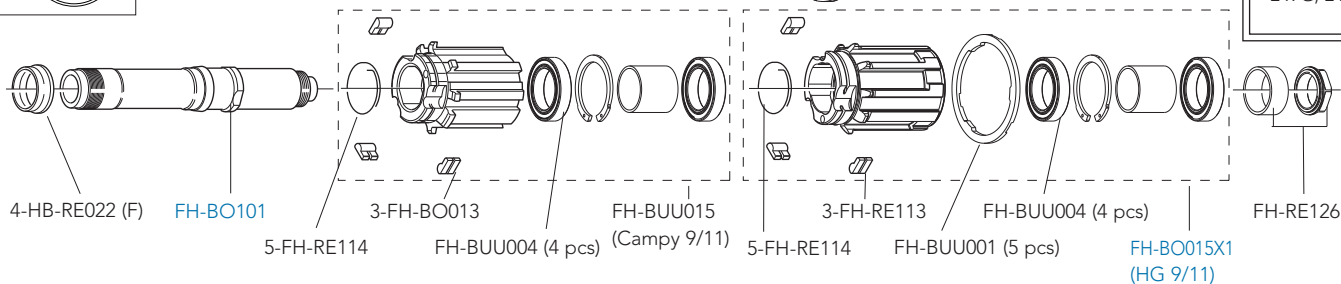


**HB-SH200
 USB™ KIT**
 front
 2 x A, 2 x B,
 2 x C, 2 x D

HB-BO031 (3 pcs)
 RATCHET RING /
 INSERTO A
 CREMAGLIERA
 (SERVICE CENTER only)



**HB-SH100
 USB™ KIT**
 2 x E, 2 x F,
 2 x G, 2 x H

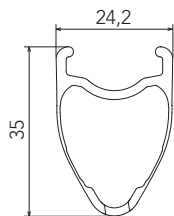


QUICK-RELEASES

QR11-20FRB

front + rear

RIM



VALVE HOLE
VALVE HOLE BUSHING
DIAMETER
BRAKE SHOES

6,5 mm
WH-BUU002
700C (622 x 17C)
for carbon rims - BR-BO500 (for brakes with retention spring or interference fixing) -
BR-BO500X (for brakes with screw fixing)

SPOKES

FRONT / REAR RH SPOKE
REAR LH SPOKE
NIPPLES
NIPPLE INSERT
NIPPLE MAGNET
SPOKE SPANNER

WH-019BOT35
WH-018BOT35
WH-015BO80
UT-WH160
UT-WH050
UT-WH090

4 spokes + 4 nipples
4 spokes + 4 nipples
black - 10 pieces
magnet-attractor for nipple
nipple-guide
spoke wrenches

ACCESSORIES

Spacer for HG11 FW body

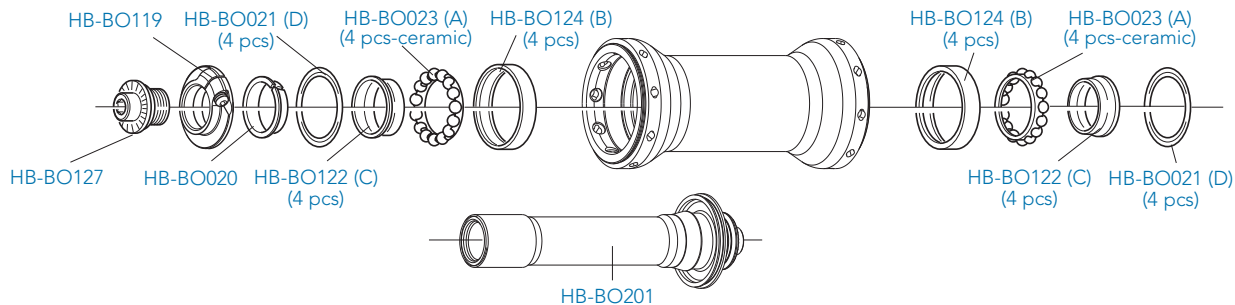
FH-BUU001

5 pcs - to be used only with 9/10s sprockets
(please note that every HG11 rear wheel/HG11 FW body package contains the spacer)

WARNING!

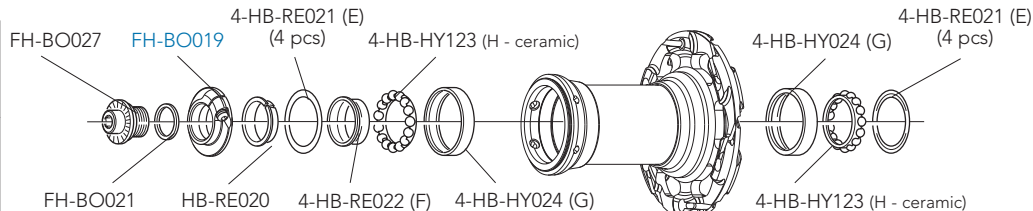
Because of the high temperatures reached when braking, we recommend you use only glue for tubular tires specifically for carbon fibre rims.
A causa delle alte temperature raggiunte in frenata, vi consigliamo di utilizzare solamente colla per tubolari che sia specifica per i soli cerchi in fibra di carbonio.

HUBS

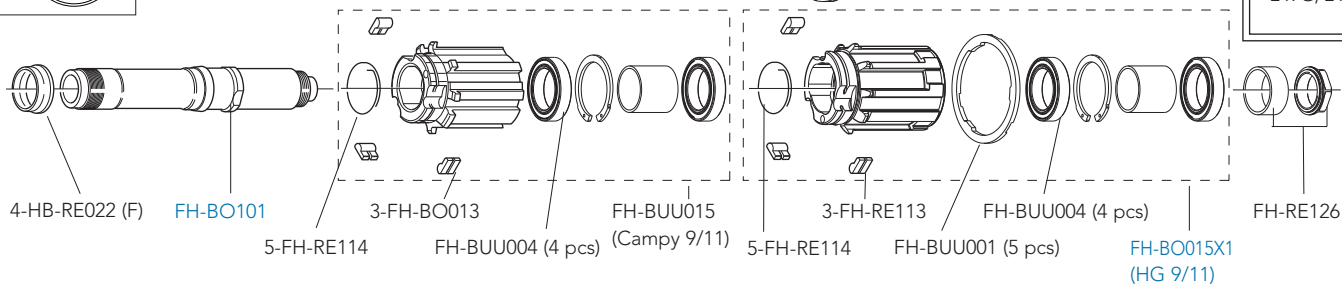


**HB-SH200
USB™ KIT**
front
2 x A, 2 x B,
2 x C, 2 x D

HB-BO031 (3 pcs)
RATCHET RING /
INSERTO A
CREMAGLIERA
(SERVICE CENTER only)



**HB-SH100
USB™ KIT**
2 x E, 2 x F,
2 x G, 2 x H



QUICK-RELEASES

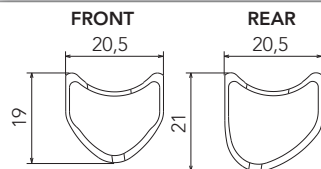
QR11-20FRB

front + rear

HYPERON ULTRA TWO

TUBULAR

RIM



FRONT RIM
REAR RIM
LABEL KIT
VALVE HOLE
DIAMETER
BRAKE SHOES

WH-201HY (with labels)
WH-202HY (with labels)
LAB-HYT09 (for a pair of front+rear wheels)
6,5 mm
634 mm
for carbon rims - BR-BO500 (for brakes with retention spring or interference fixing) -
BR-BO500X (for brakes with screw fixing)

SPOKES

COMPLETE FRONT KIT
COMPLETE REAR KIT
MINI-KIT

KIT-01HY
KIT-02HY
KIT-100HY

24 front spokes + 24 nuts + 24 nut supporting plates
13 rear right spokes + 13 rear left spokes + 26 nuts + 26 nut supporting plates + 13 barrels
2 front spokes + 2 rear right spokes + 2 rear left spokes + 6 nuts + 6 nut supporting plates +
2 barrels

NUTS
NUT SUPPORTING PLATES

10-WH-010BO
10-WH-011HY

10 pieces
10 pieces

ACCESSORIES

Spacer for HG11 FW body

FH-BUU001

5 pcs - to be used only with 9/10s sprockets
(please note that every HG11 rear wheel/HG11 FW body package contains the spacer)

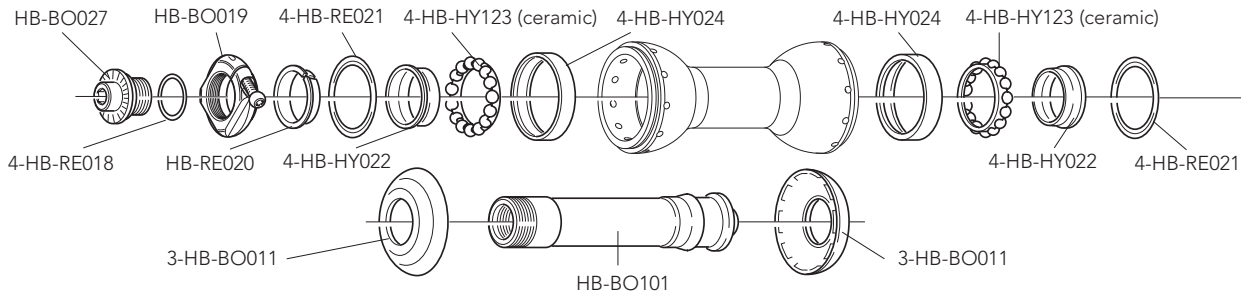
WARNING!

Because of the high temperatures reached when braking, we recommend you use only glue for tubular tires specifically for carbon fibre rims.
A causa delle alte temperature raggiunte in frenata, vi consigliamo di utilizzare solamente colla per tubolari che sia specifica per i soli cerchi in fibra di carbonio.

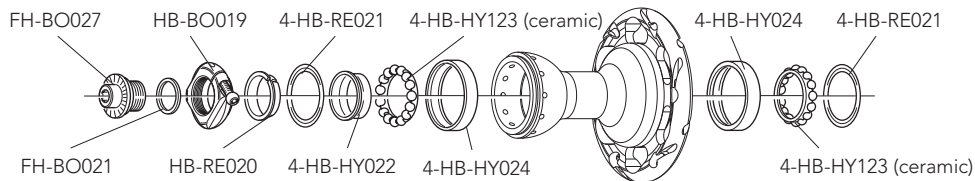
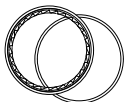
HYPERON ULTRA TWO

TUBULAR

HUBS

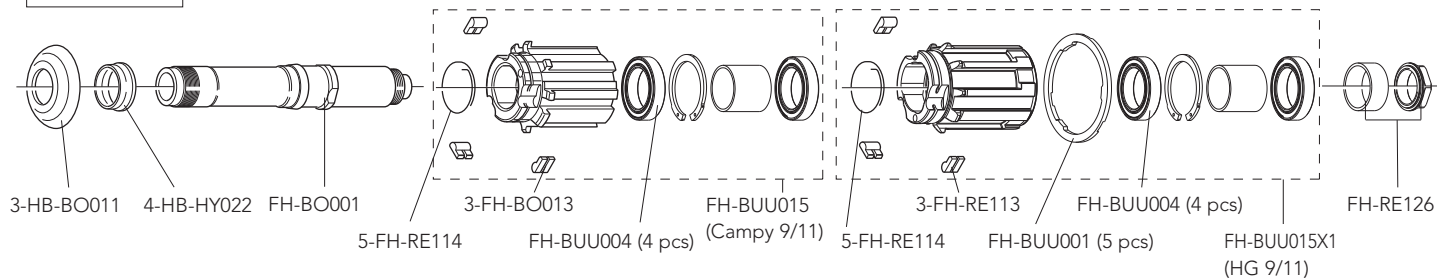


HB-BO031 (3 pcs)
RATCHET RING /
INSERTO A
CREMAGLIERA
(SERVICE CENTER only)



**HB-HY100
CULT™ KIT**

2 x HB-RE021
2 x HB-HY022
2 x HB-HY024
2 x HB-HY123



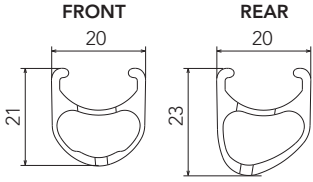
QUICK-RELEASES

QR12-BUUBFR

front + rear

HYPERON ULTRA TWO

CLINCHER

RIM		
	FRONT RIM REAR RIM RIM-TAPE LABEL KIT VALVE HOLE DIAMETER BRAKE SHOES CLINCHER REMOVAL LEVER	WH-203HYU (with labels) WH-104HYU (with labels) 2-WH-RT02 (16 mm - 2 pieces) LAB-HYUC09 (for a pair of front+rear wheels) 6,5 mm 622 X 13C for carbon rims - BR-BO500 (for brakes with retention spring or interference fixing) - BR-BO500X (for brakes with screw fixing) WH-109HYC (6 pieces)

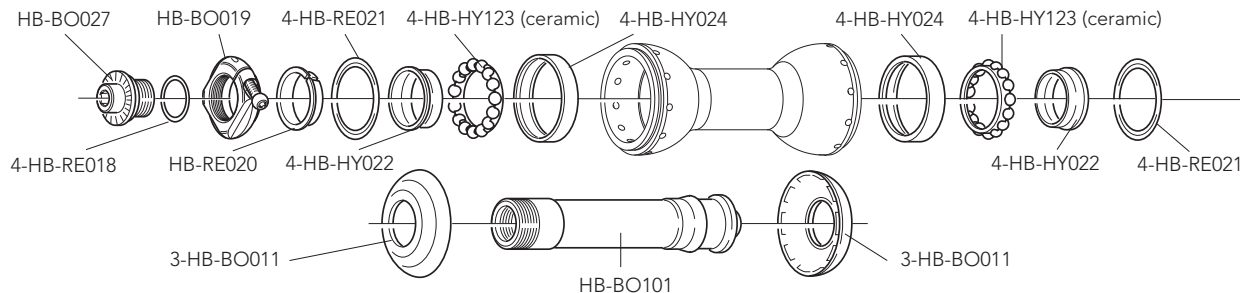
SPOKES		
COMPLETE FRONT KIT COMPLETE REAR KIT MINI-KIT NUTS FRONT NUT SUPPORTING PLATES REAR NUT SUPPORTING PLATES	KIT-13HYU KIT-14HYU KIT-400HYU 10-WH-010BO 10-WH-011HY 10-WH-012HY	22 front spokes + 22 nuts + 22 front nut supporting plates 12 rear right spokes + 12 rear left spokes + 24 nuts + 24 rear nut supporting plates 2 front spokes + 2 rear right spokes + 2 rear left spokes + 6 nuts + 2 front nut supporting plates + 4 front nut supporting plates 10 pieces 10 pieces 10 pieces

ACCESSORIES		
Spacer for HG11 FW body	FH-BUU001	5 pcs - to be used only with 9/10s sprockets <i>(please note that every HG11 rear wheel/HG11 FW body package contains the spacer)</i>

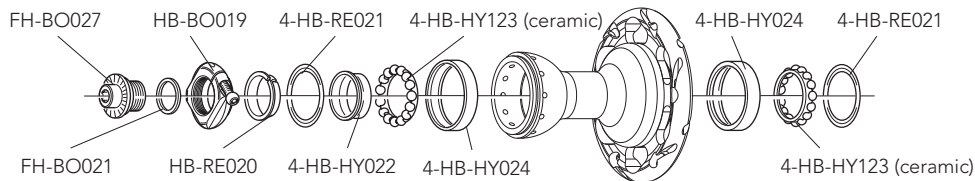
HYPERON ULTRA TWO

CLINCHER

HUBS

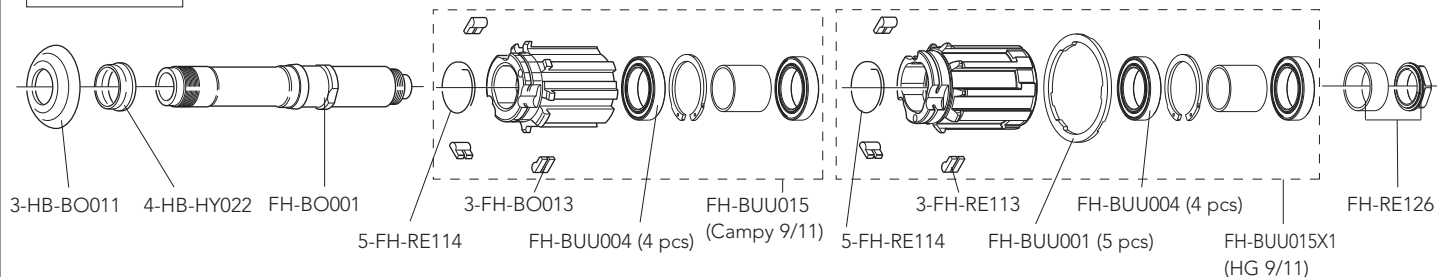


HB-BO031 (3 pcs)
RATCHET RING /
INSERTO A
CREMAGLIERA
(SERVICE CENTER only)



**HB-HY100
CULT™ KIT**

2 x HB-RE021
2 x HB-HY022
2 x HB-HY024
2 x HB-HY123



QUICK-RELEASES

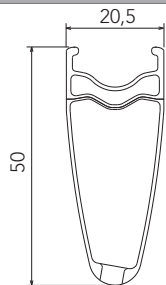
QR12-BUUBFR

front + rear

BULLET ULTRA H50

CLINCHER

RIM



FRONT RIM
 REAR RIM
 LABEL KIT
 VALVE HOLE
 VALVE EXTENSION
 VALVE HOLE BUSHING
 DIAMETER

WH-003BUU (**no labels**)
 WH-004BUU (**no labels**)
 LAB-BUU12 (front+rear) - LAB-BUU12DK (front+rear DARK)
 6,5 mm
 UT-WH130M (male extension) - UT-WH130F (female extension)
 WH-BUU002 (5 pcs.)
 700C (622 x 15C)

SPOKES

COMPLETE FRONT KIT
 COMPLETE REAR KIT
 MINI-KIT
 NIPPLES
 NIPPLE INSERT
 NIPPLE MAGNET
 SPOKE SPANNER

KIT-03BUU
 KIT-04BUU
 KIT-500BUU
 WH-015BUU
 UT-WH160
 UT-WH050
 UT-WH090

18 front spokes + 18 nipples
 14 rear right spokes + 7 rear left spokes + 21 nipples
 2 front spokes + 2 rear right spokes + 2 rear left spokes + 6 nipples
 red - 10 pieces
 magnet-tractor for nipple
 nipple-guide
 spoke wrenches

ACCESSORIES

Spacer for HG11 FW body

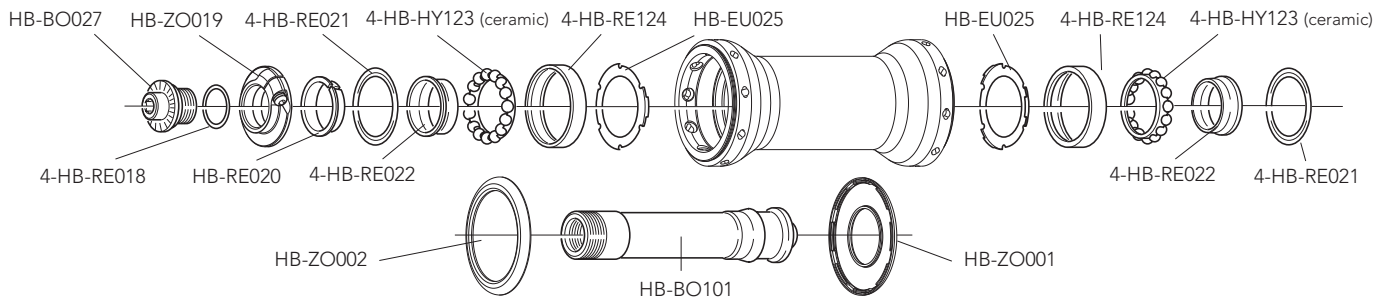
FH-BUU001

5 pcs - to be used only with 9/10s sprockets
(please note that every HG11 rear wheel/HG11 FW body package contains the spacer)

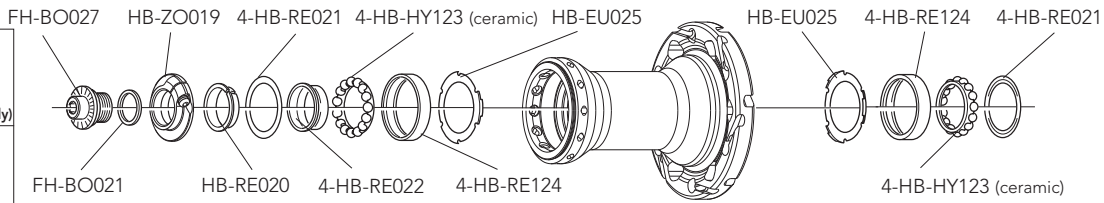
BULLET ULTRA H50

USB BEARINGS

HUBS

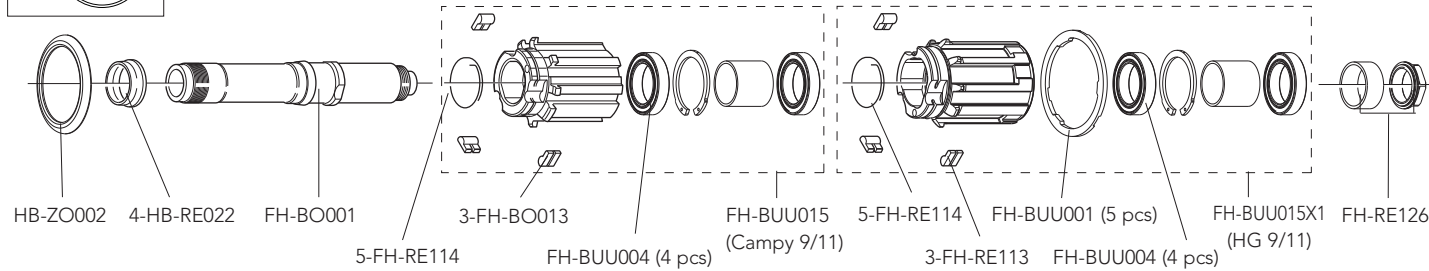


HB-BO031 (3 pcs)
 RATCHET RING /
 INSERTO A
 CREMAGLIERA
 (SERVICE CENTER only)



**HB-SH100
 HUB KIT**

- 2 x HB-RE021
- 2 x HB-RE022
- 2 x HB-RE124
- 2 x HB-HY123



QUICK-RELEASES

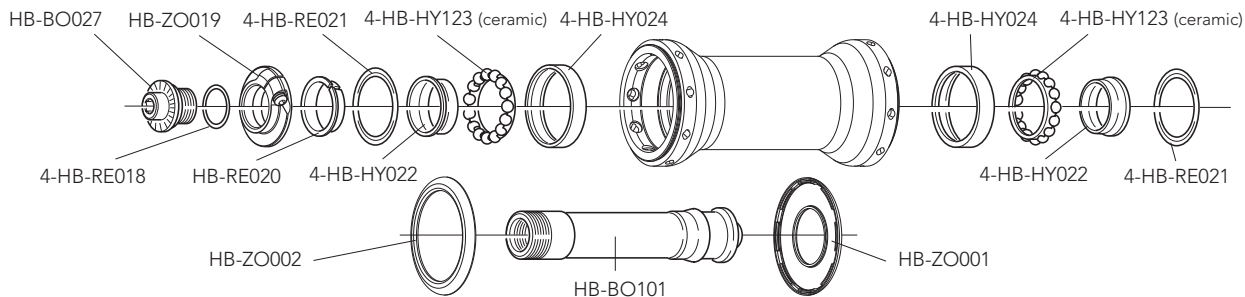
QR12-BUUBFR

front + rear

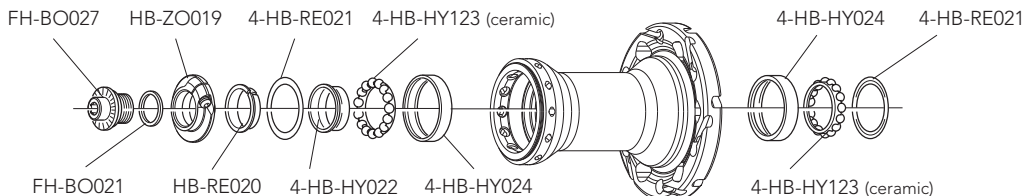
BULLET ULTRA H50

CULT BEARINGS

HUBS

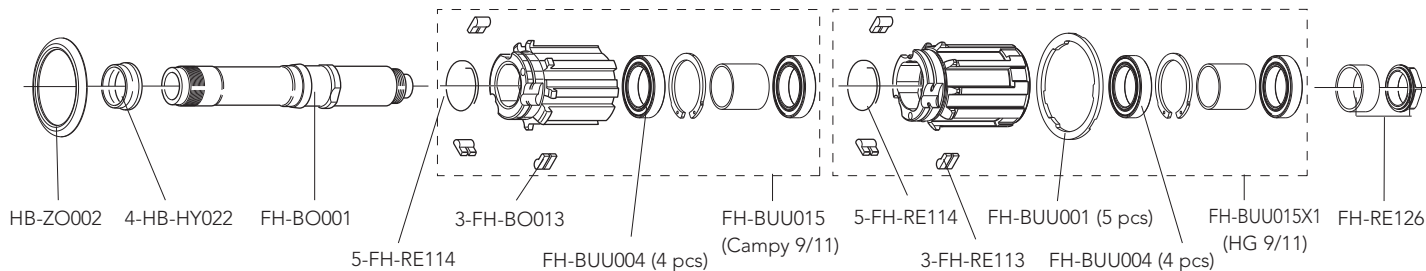


HB-BO031 (3 pcs)
RATCHET RING /
INSERTO A
CREMAGLIERA
(SERVICE CENTER only)



**HB-HY100
CULT™ KIT**

- 2 x HB-RE021
- 2 x HB-HY022
- 2 x HB-HY024
- 2 x HB-HY123



QUICK-RELEASES

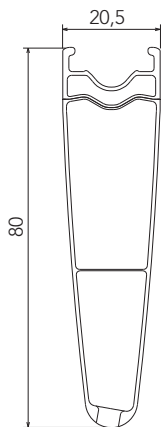
QR12-BUUBFR

front + rear

BULLET ULTRA H80

CLINCHER

RIM



FRONT RIM
 REAR RIM
 LABEL KIT
 VALVE HOLE
 VALVE EXTENSION
 VALVE HOLE BUSHING
 DIAMETER

WH-003BUU80 **(no labels)**
 WH-004BUU80 **(no labels)**
 LAB-BUU1280 (front+rear) - LAB-BUU1280DK (front+rear DARK)
 6,5 mm
 UT-WH140M (male extension) - UT-WH140F (female extension)
 WH-BUU002 (5 pcs.)
 700C (622 x 15C)

SPOKES

COMPLETE FRONT KIT
 COMPLETE REAR KIT
 MINI-KIT
 NIPPLES
 NIPPLE INSERT
 NIPPLE MAGNET
 SPOKE SPANNER

KIT-03BUU80
 KIT-04BUU80
 KIT-500BUU80
 WH-015BUU
 UT-WH160
 UT-WH050
 UT-WH090

16 front spokes + 16 nipples
 12 rear right spokes+6 rear left spokes+18 nipples
 2 front spokes+2 rear right spokes+2 rear left spokes+6 nipples
 red - 10 pieces
 magnet-attractor for nipple
 nipple-guide
 spoke wrenches

ACCESSORIES

Spacer for HG11 FW body

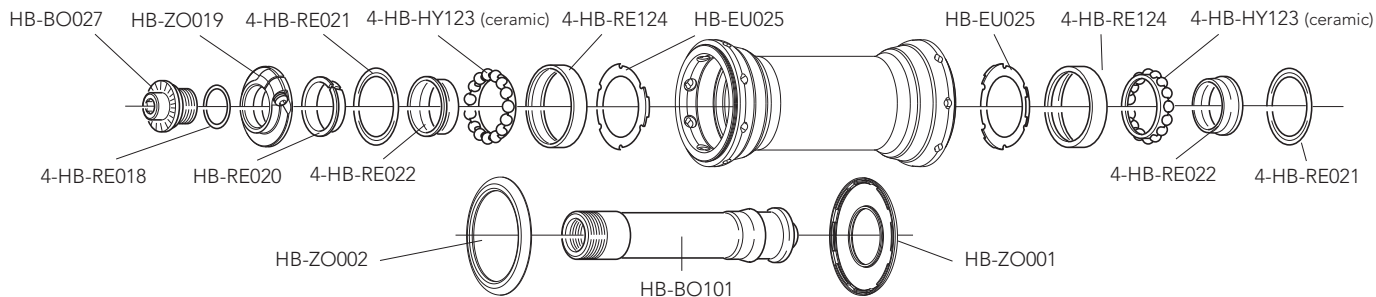
FH-BUU001

5 pcs - to be used only with 9/10s sprockets
(please note that every HG11 rear wheel/HG11 FW body package contains the spacer)

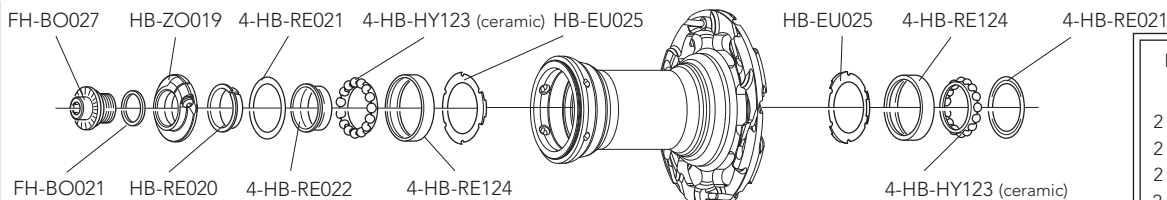
BULLET ULTRA H80

USB BEARINGS

HUBS

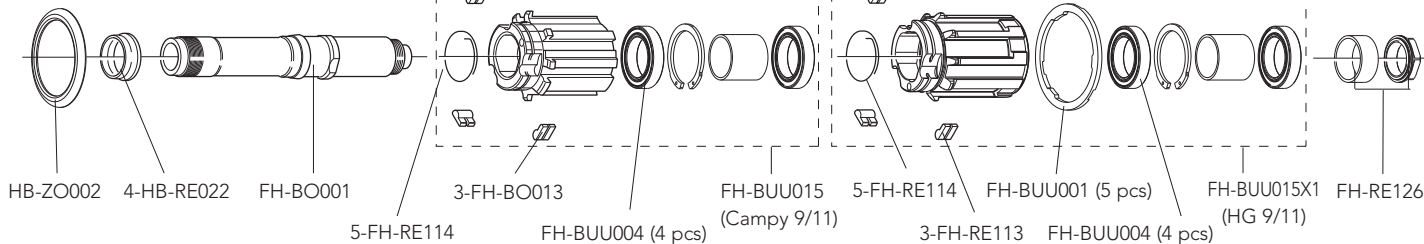


HB-BO031 (3 pcs)
RATCHET RING /
INSERTO A
CREMAGLIERA
(SERVICE CENTER only)



HB-SH100 HUB KIT

- 2 x HB-RE021
- 2 x HB-RE022
- 2 x HB-RE124
- 2 x HB-HY123

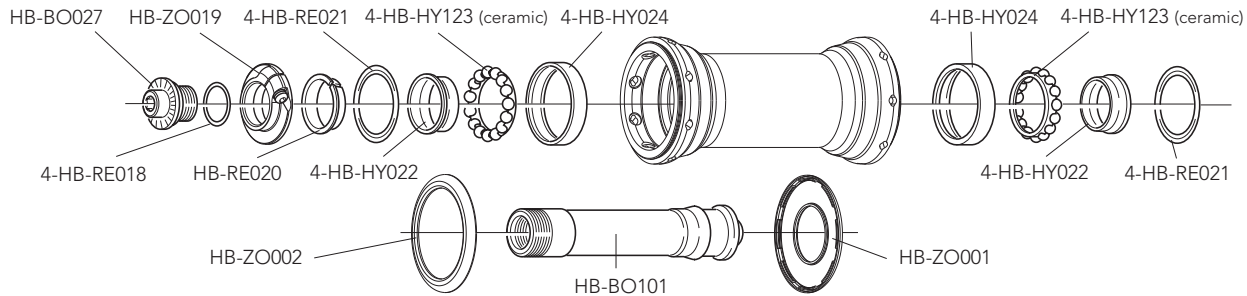


QUICK-RELEASES

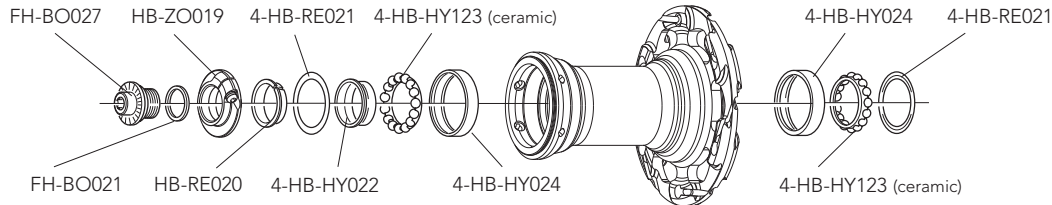
QR12-BUUBFR

front + rear

HUBS

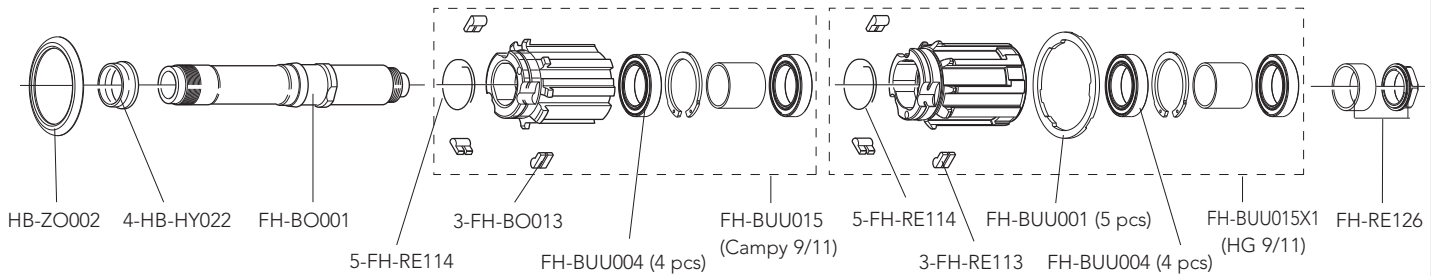


HB-BO031 (3 pcs)
 RATCHET RING /
 INSERTO A
 CREMAGLIERA
 (SERVICE CENTER only)



**HB-HY100
 CULT™ KIT**

- 2 x HB-RE021
- 2 x HB-HY022
- 2 x HB-HY024
- 2 x HB-HY123

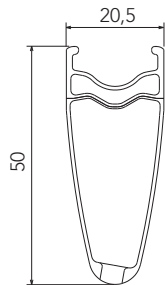


QUICK-RELEASES	QR12-BUUBFR	front + rear
----------------	-------------	--------------

BULLET H50

CLINCHER

RIM



FRONT RIM
 REAR RIM
 LABEL KIT
 VALVE HOLE
 VALVE EXTENSION
 VALVE HOLE BUSHING
 DIAMETER

WH-003BUU (**no labels**)
 WH-004BUU (**no labels**)
 LAB-BU12 (front+rear)
 6,5 mm
 UT-WH130M (male extension) - UT-WH130F (female extension)
 WH-BUU002 (5 pcs.)
 700C (622 x 15C)

SPOKES

COMPLETE FRONT KIT
 COMPLETE REAR KIT
 MINI-KIT
 NIPPLES
 NIPPLE INSERT
 NIPPLE MAGNET
 SPOKE SPANNER

KIT-03BU
 KIT-04BU
 KIT-500BU
 WH-015BU
 UT-WH160
 UT-WH050
 UT-WH090

18 front spokes + 18 nipples
 14 right rear spokes + 7 rear left spokes + 21 nipples
 2 front spokes + 2 right rear spokes + 2 rear left spokes + 6 nipples
 10 pieces
 magnet-attractor for nipple
 nipple-guide
 spoke wrenches

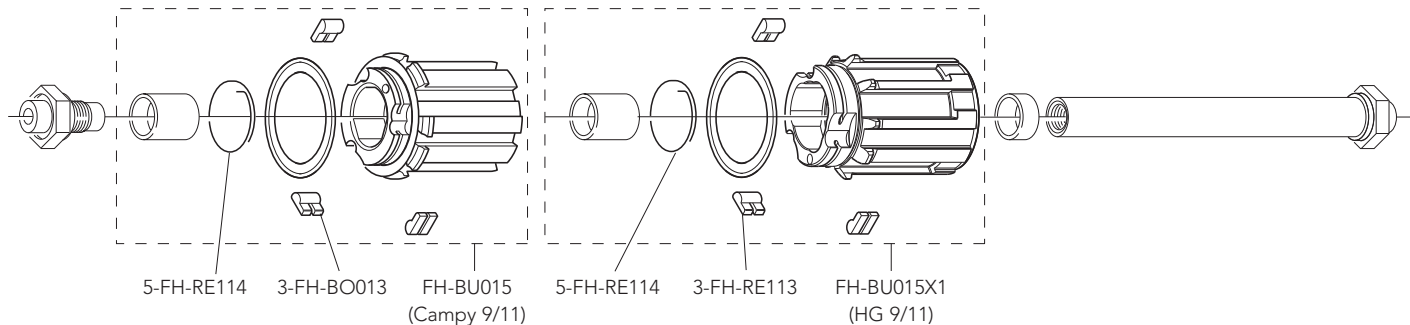
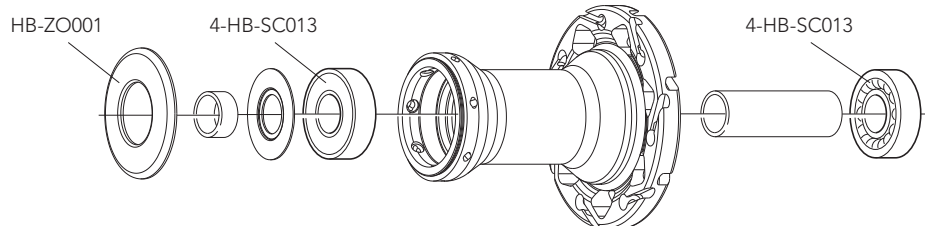
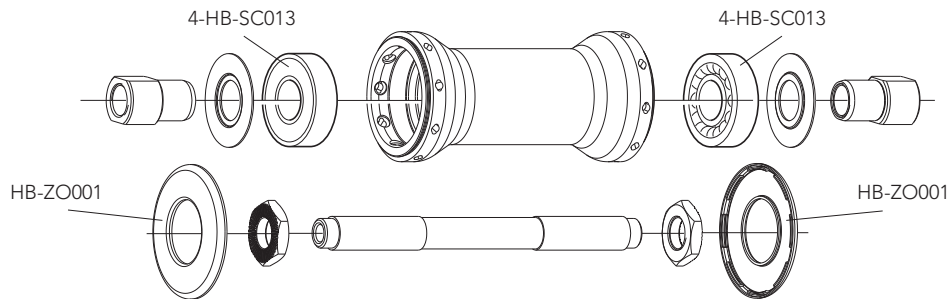
ACCESSORIES

Spacer for HG11 FW body

FH-BUU001

5 pcs - to be used only with 9/10s sprockets
(please note that every HG11 rear wheel/HG11 FW body package contains the spacer)

HUBS



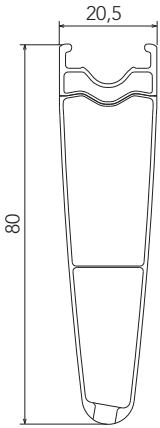
QUICK-RELEASES

QR12-ZOBFR

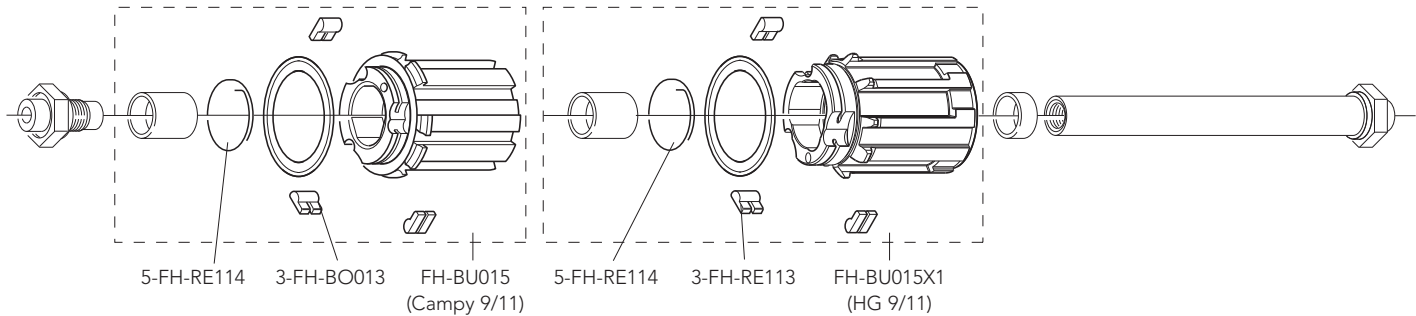
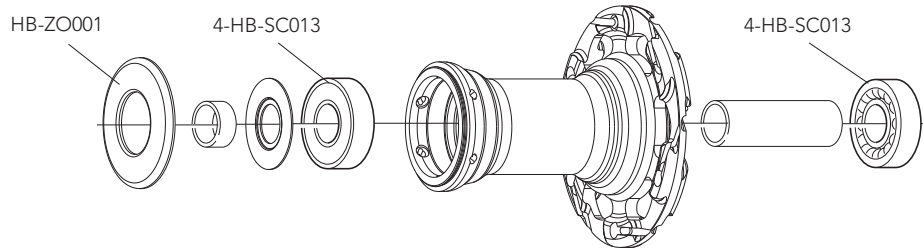
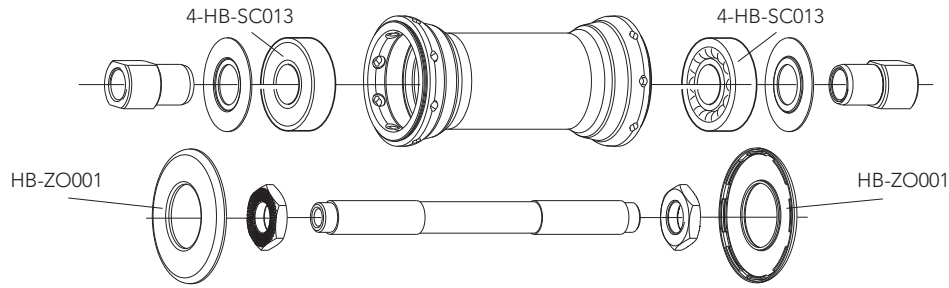
front + rear

BULLET H80

CLINCHER

RIM		
	<p>FRONT RIM REAR RIM LABEL KIT VALVE HOLE VALVE EXTENSION VALVE HOLE BUSHING DIAMETER</p>	<p>WH-003BUU80 (no labels) WH-004BUU80 (no labels) LAB-BU1280 (front+rear) 6,5 mm UT-WH140M (male extension) - UT-WH140F (female extension) WH-BUU002 (5 pcs.) 700C (622 x 15C)</p>
SPOKES		
<p>COMPLETE FRONT KIT COMPLETE REAR KIT MINI-KIT NIPPLES NIPPLE INSERT NIPPLE MAGNET SPOKE SPANNER</p>	<p>KIT-03BU80 KIT-04BU80 KIT-500BU80 WH-015BU UT-WH160 UT-WH050 UT-WH090</p>	<p>16 front spokes + 16 nipples 12 rear right spokes + 6 rear left spokes + 18 nipples 2 front spokes + 2 rear right spokes + 2 rear left spokes + 6 nipples 10 pieces magnet-attractor for nipple nipple-guide spoke wrenches</p>
ACCESSORIES		
<p>Spacer for HG11 FW body</p>	<p>FH-BUU001</p>	<p>5 pcs - to be used only with 9/10s sprockets <i>(please note that every HG11 rear wheel/HG11 FW body package contains the spacer)</i></p>

HUBS



QUICK-RELEASES

QR12-ZOBFR

front + rear

SHAMAL MILLE

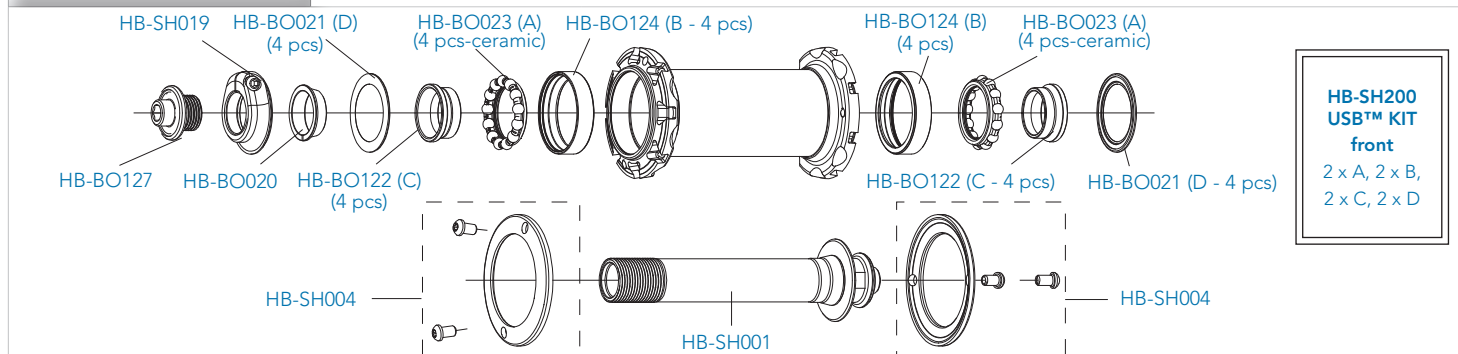
CLINCHER

RIM		
	<p>FRONT RIM REAR RIM LABEL KIT VALVE HOLE DIAMETER BRAKE SHOES</p>	<p>WH-003SHM (no labels) WH-004SHM (no labels) LAB-SHMC15 (front+rear) 6,5 mm 622 X 15C for rims with Plasma Electrolytic Oxidation treatment: BR-PEO500 (for brakes with retention spring fixing) - BR-PEO500X (for brakes with screw fixing)</p>

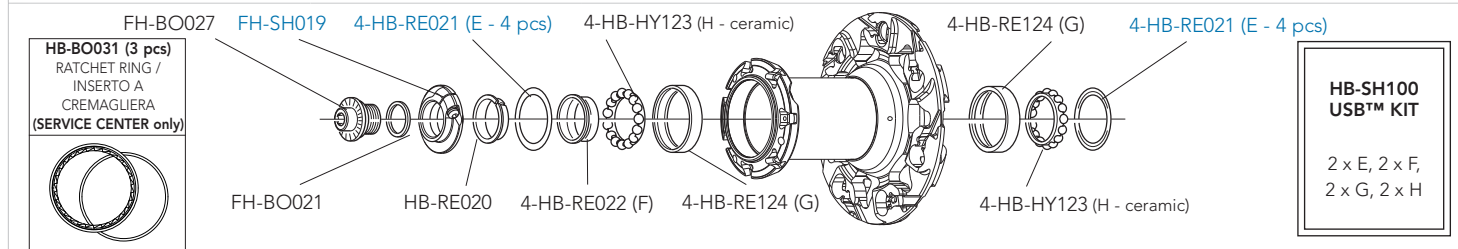
SPOKES		
<p>FRONT KIT REAR KIT COMPLETE FRONT SPOKE COMPLETE REAR RIGHT SPOKE COMPLETE REAR LEFT SPOKE NIPPLES SPOKE RING NIPPLE INSERT NIPPLE MAGNET SPOKE SPANNER</p>	<p>KIT-03SHM KIT-24SHB WH-005SHM WH-105SHB WH-107SHB 10-WH-015SH UT-WH010 UT-WH020 UT-WH080 UT-WH070</p>	<p>16 front/rear right spokes 14 front/rear right spokes + 7 rear left spokes spoke + nipple spoke + nipple spoke + nipple 10 pieces anti-rotation spokes magnet-attractor for nipple nipple-guide spoke wrenches</p>

ACCESSORIES		
<p>Spacer for HG11 FW body</p>	<p>FH-BUU001</p>	<p>5 pcs - to be used only with 9/10s sprockets <i>(please note that every HG11 rear wheel/HG11 FW body package contains the spacer)</i></p>

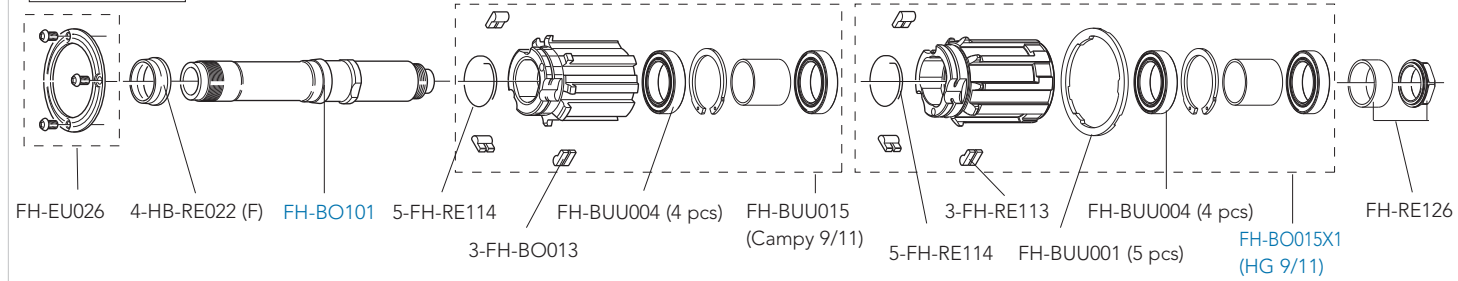
HUBS



**HB-SH200
USB™ KIT
front**
2 x A, 2 x B,
2 x C, 2 x D



**HB-SH100
USB™ KIT**
2 x E, 2 x F,
2 x G, 2 x H



QUICK-RELEASES	QR13-80FR	front + posteriore
----------------	-----------	--------------------

SHAMAL ULTRA

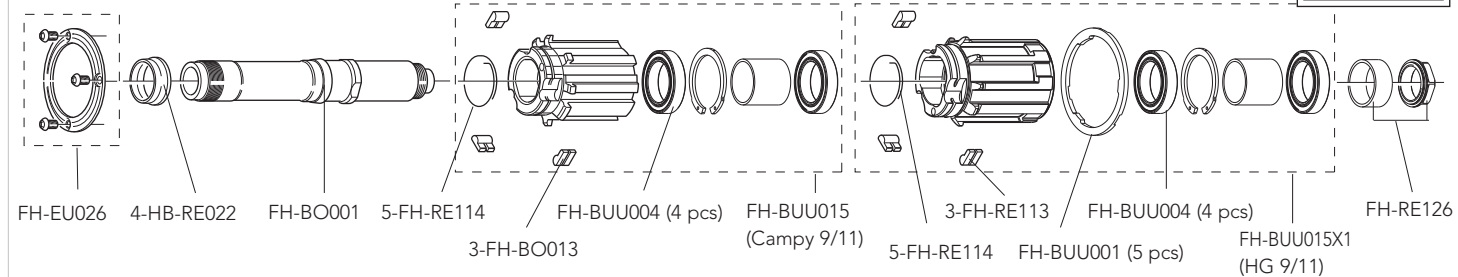
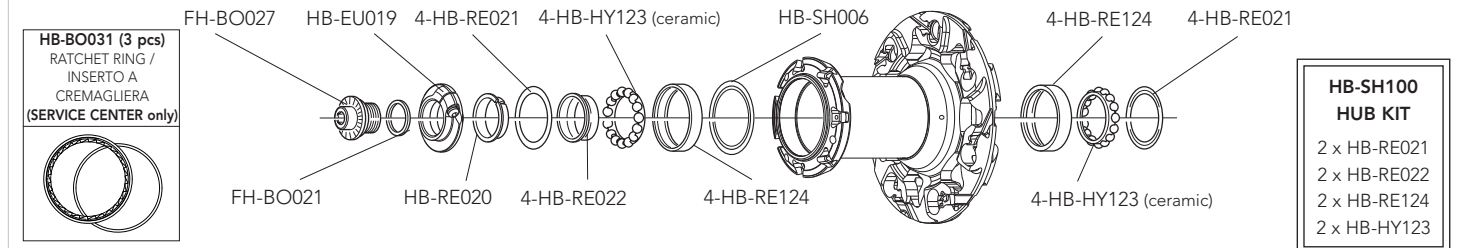
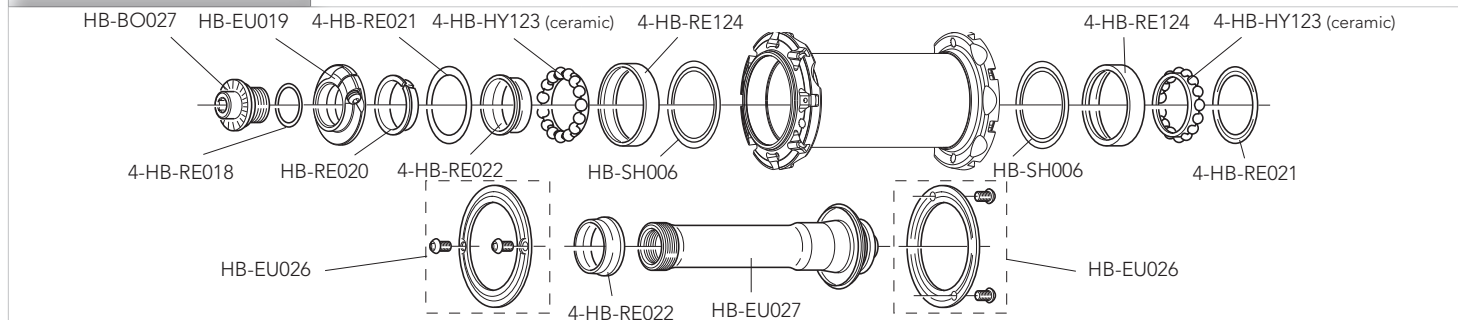
2-WAY FIT

RIM			
	<p>FRONT 20,5</p> <p>REAR 20,5</p>	<p>FRONT RIM REAR RIM LABEL KIT VALVE HOLE 2-WAY FIT VALVE VALVE HOLE BUSHING DIAMETER</p>	<p>WH-213SHB (no labels) WH-214SHB (no labels) LAB-SH2B12 (front+rear) - LAB-SH2B12DK (front+rear DARK) 6,5 mm WH-SH001 5-WH-SH002 (for valve seat reduction - 5 pieces) 634 mm</p>

SPOKES			
FRONT KIT	KIT-13SHB	16 front/rear right spokes	
REAR KIT	KIT-24SHB	14 front/rear right spokes + 7 rear left spokes	
COMPLETE FRONT/REAR RIGHT SPOKE	WH-105SHB	spoke + nipple	
COMPLETE REAR LEFT SPOKE	WH-107SHB	spoke + nipple	
NIPPLES	10-WH-015SH	10 pieces	
SPOKE RING	UT-WH010	anti-rotation spokes	
NIPPLE INSERT	UT-WH020	magnet-attractor for nipple	
NIPPLE MAGNET	UT-WH080	nipple-guide	
SPOKE SPANNER	UT-WH070	spoke wrenches	

ACCESSORIES		
Spacer for HG11 FW body	FH-BUU001	5 pcs - to be used only with 9/10s sprockets <i>(please note that every HG11 rear wheel/HG11 FW body package contains the spacer)</i>

HUBS



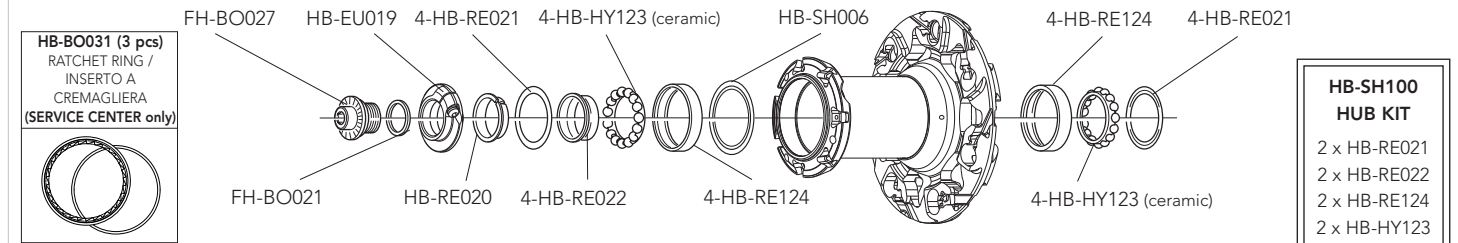
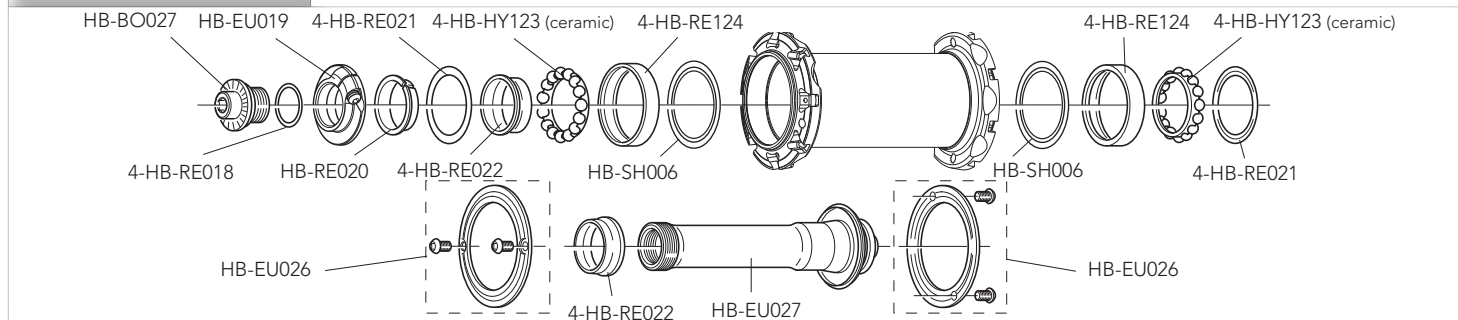
QUICK-RELEASES	OR11-20FRB	front + posteriore
----------------	------------	--------------------

RIM			
	<p>FRONT 20,5</p> <p>REAR 20,5</p> <p>25</p> <p>30</p>	<p>FRONT RIM REAR RIM LABEL KIT VALVE HOLE DIAMETER</p>	<p>WH-303SHB (no labels) WH-304SHB (no labels) LAB-SHCB12 (front+rear) - LAB-SHCB12DK (front+rear DARK) 6,5 mm 622 X 15C</p>

SPOKES			
<p>FRONT KIT REAR KIT COMPLETE FRONT/REAR RIGHT SPOKE COMPLETE REAR LEFT SPOKE NIPPLES SPOKE RING NIPPLE INSERT NIPPLE MAGNET SPOKE SPANNER</p>	<p>KIT-13SHB KIT-24SHB WH-105SHB WH-107SHB 10-WH-015SH UT-WH010 UT-WH020 UT-WH080 UT-WH070</p>	<p>16 front/rear right spokes 14 front/rear right spokes + 7 rear left spokes spoke + nipple spoke + nipple 10 pieces anti-rotation spokes magnet-attractor for nipple nipple-guide spoke wrenches</p>	

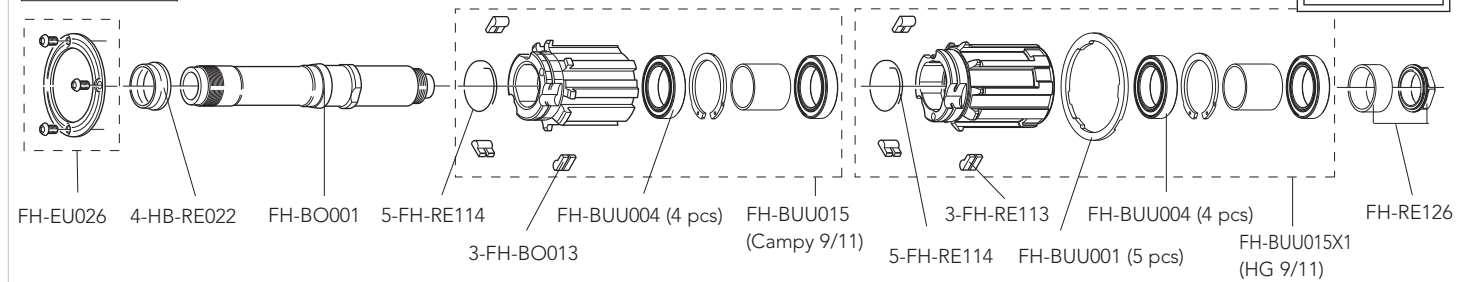
ACCESSORIES			
<p>Spacer for HG11 FW body</p>	<p>FH-BUU001</p>	<p>5 pcs - to be used only with 9/10s sprockets <i>(please note that every HG11 rear wheel/HG11 FW body package contains the spacer)</i></p>	

HUBS

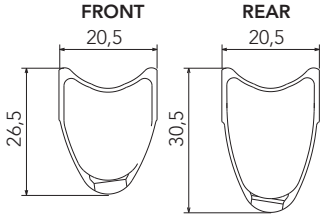


HB-BO031 (3 pcs)
RATCHET RING /
INSERTO A
CREMAGLIERA
(SERVICE CENTER only)

**HB-SH100
HUB KIT**
2 x HB-RE021
2 x HB-RE022
2 x HB-RE124
2 x HB-HY123



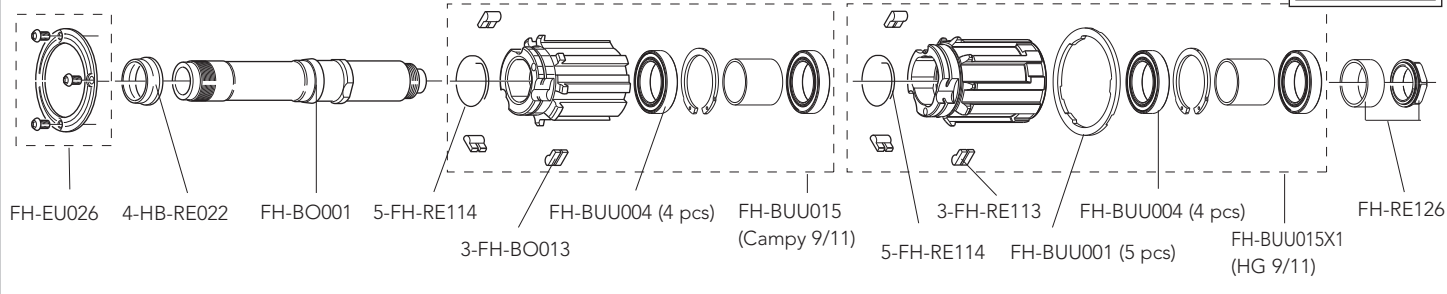
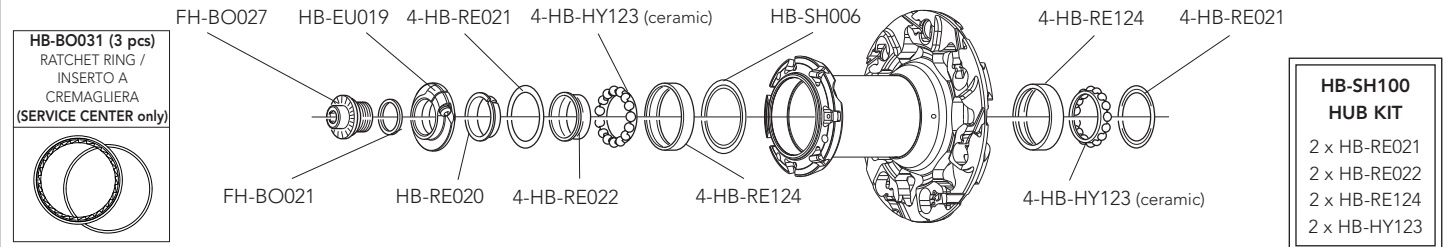
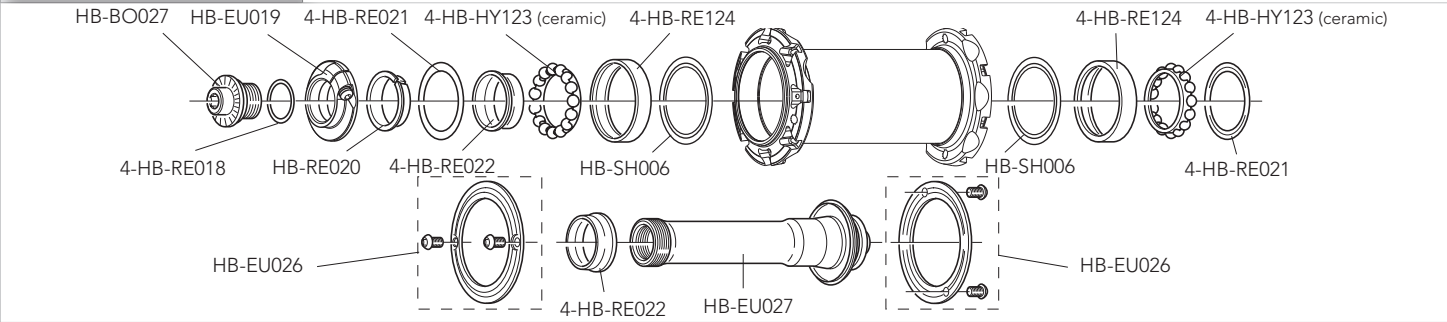
QUICK-RELEASES	QR11-20FRB	front + posteriore
----------------	------------	--------------------

RIM	
 <p>FRONT 20,5</p> <p>26,5</p> <p>REAR 20,5</p> <p>30,5</p>	<p>FRONT RIM REAR RIM LABEL KIT VALVE HOLE DIAMETER</p> <p>WH-301SHB (no labels) WH-302SHB (no labels) LAB-SHTB12 (for a pair of front+rear wheels) 6,5 mm 634 mm</p>

SPOKES	
<p>FRONT KIT REAR KIT COMPLETE FRONT/REAR RIGHT SPOKE COMPLETE REAR LEFT SPOKE NIPPLES SPOKE RING NIPPLE INSERT NIPPLE MAGNET SPOKE SPANNER</p>	<p>KIT-13SHB KIT-24SHB WH-105SHB WH-107SHB 10-WH-015SH UT-WH010 UT-WH020 UT-WH080 UT-WH070</p> <p>16 front/rear right spokes 14 front/rear right spokes + 7 rear left spokes spoke + nipple spoke + nipple 10 pieces anti-rotation spokes magnet-attractor for nipple nipple-guide spoke wrenches</p>

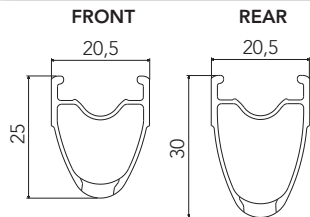
ACCESSORIES	
<p>Spacer for HG11 FW body</p>	<p>FH-BUU001</p> <p>5 pcs - to be used only with 9/10s sprockets <i>(please note that every HG11 rear wheel/HG11 FW body package contains the spacer)</i></p>

HUBS



QUICK-RELEASES	OR11-20FRB	front + posteriore
----------------	------------	--------------------

RIM



FRONT RIM
 REAR RIM
 LABEL KIT
 VALVE HOLE
 2-WAY FIT VALVE
 VALVE HOLE BUSHING
 DIAMETER

WH-213SHB (**no labels**)
 WH-214SHB (**no labels**)
 LAB-EU2B12 (for a pair of front+rear wheels)
 6,5 mm
 WH-SH001
 5-WH-SH002 (for valve seat reduction - 5 pieces)
 634 mm

SPOKES

FRONT KIT
 REAR KIT
 COMPLETE FRONT/REAR RIGHT SPOKE
 COMPLETE REAR LEFT SPOKE
 NIPPLES
 SPOKE RING
 NIPPLE INSERT
 NIPPLE MAGNET
 SPOKE SPANNER

KIT-13SHB
 KIT-24SHB
 WH-105SHB
 WH-107SHB
 10-WH-015SH
 UT-WH010
 UT-WH020
 UT-WH080
 UT-WH070

16 front/rear right spokes
 14 front/rear right spokes + 7 rear left spokes
 spoke + nipple
 spoke + nipple
 10 pieces
 anti-rotation spokes
 magnet-attractor for nipple
 nipple-guide
 spoke wrenches

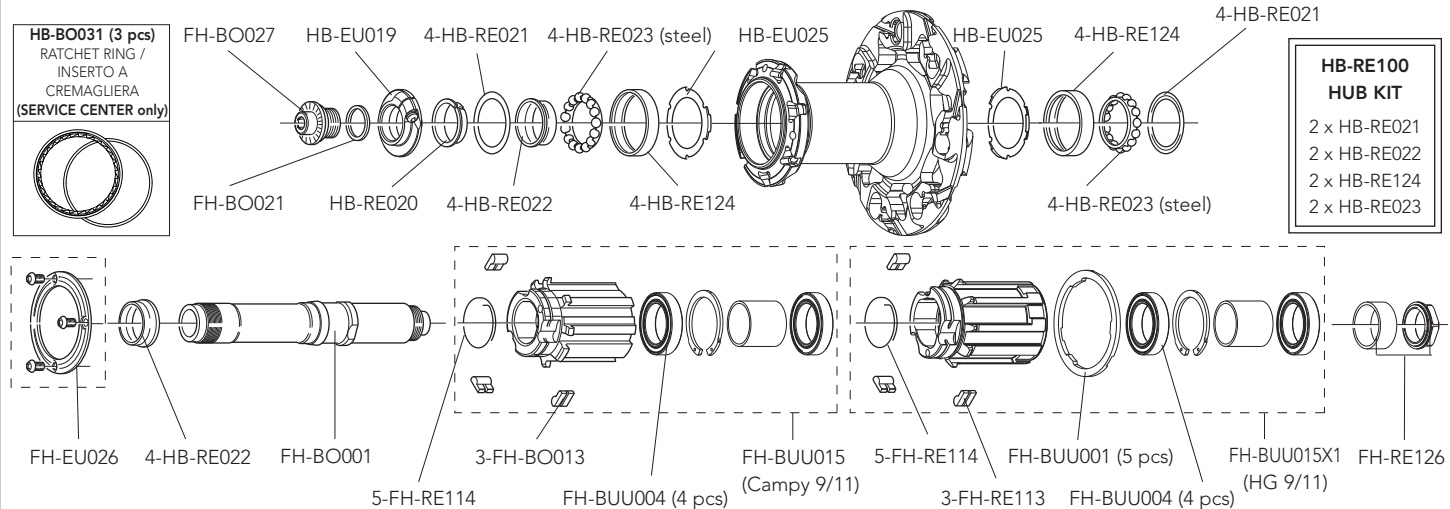
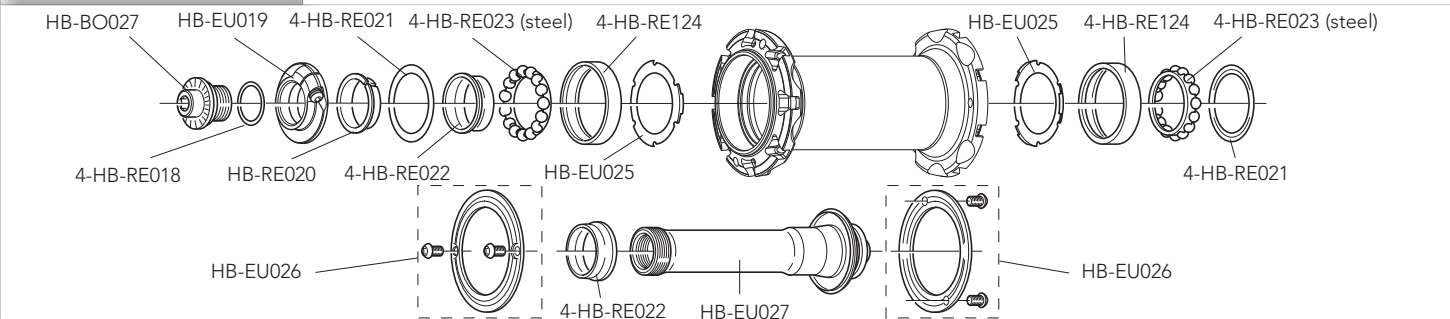
ACCESSORIES

Spacer for HG11 FW body

FH-BUU001

5 pcs - to be used only with 9/10s sprockets
(please note that every HG11 rear wheel/HG11 FW body package contains the spacer)

HUBS



QUICK-RELEASES

OR11-20FRB

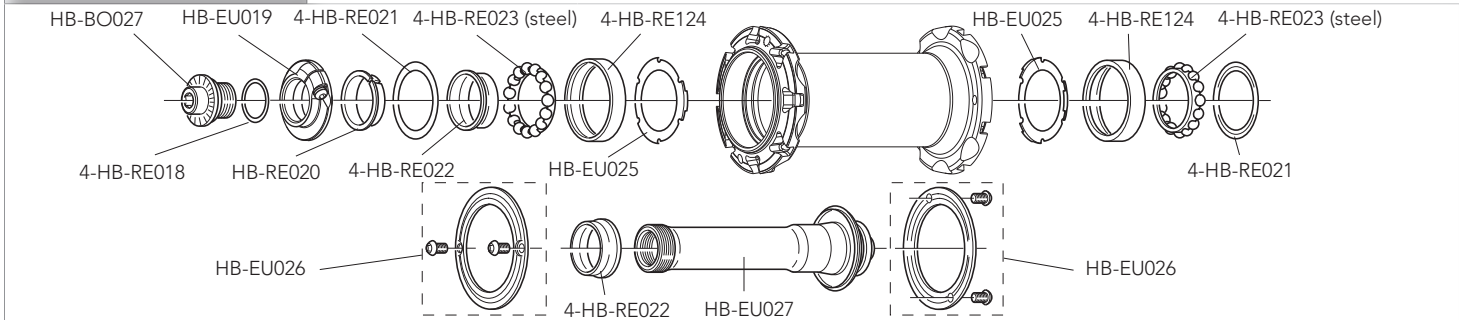
front + rear

RIM			
	<p>FRONT RIM REAR RIM LABEL KIT VALVE HOLE DIAMETER</p>	<p>WH-303SHB (no labels) WH-304SHB (no labels) LAB-EUCB12 (for a pair of front+rear wheels) 6,5 mm 622 X 15C</p>	

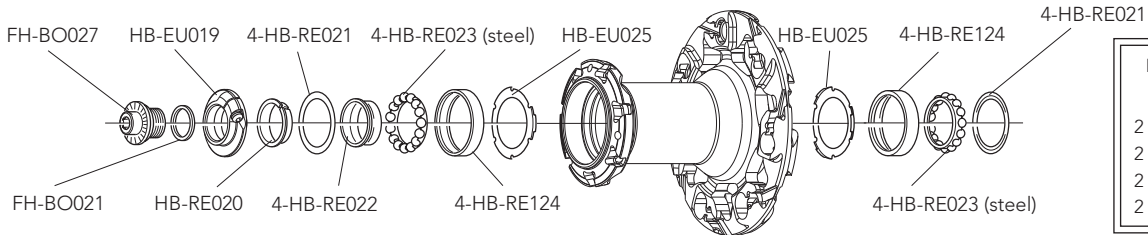
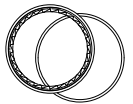
SPOKES			
<p>FRONT KIT REAR KIT COMPLETE FRONT/REAR RIGHT SPOKE COMPLETE REAR LEFT SPOKE NIPPLES SPOKE RING NIPPLE INSERT NIPPLE MAGNET SPOKE SPANNER</p>	<p>KIT-13SHB KIT-24SHB WH-105SHB WH-107SHB 10-WH-015SH UT-WH010 UT-WH020 UT-WH080 UT-WH070</p>	<p>16 front/rear right spokes 14 front/rear right spokes + 7 rear left spokes spoke + nipple spoke + nipple 10 pieces anti-rotation spokes magnet-attractor for nipple nipple-guide spoke wrenches</p>	

ACCESSORIES			
<p>Spacer for HG11 FW body</p>	<p>FH-BUU001</p>	<p>5 pcs - to be used only with 9/10s sprockets <i>(please note that every HG11 rear wheel/HG11 FW body package contains the spacer)</i></p>	

HUBS

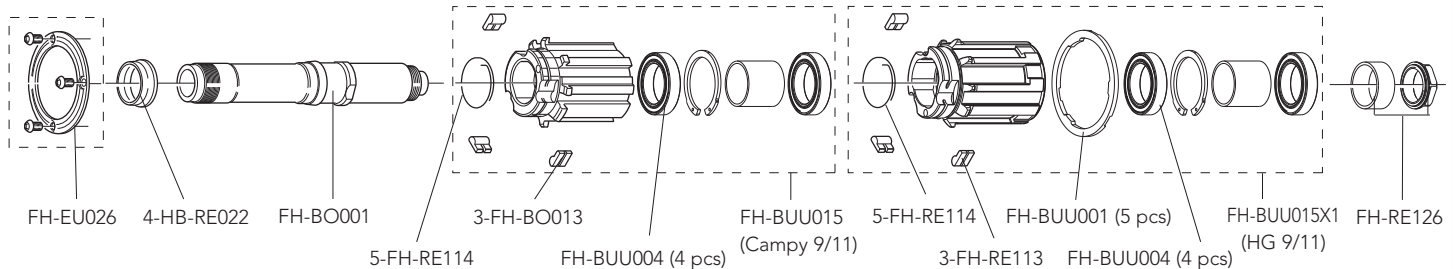


HB-BO031 (3 pcs)
RATCHET RING /
INSERTO A
CREMAGLIERA
(SERVICE CENTER only)



**HB-RE100
HUB KIT**

- 2 x HB-RE021
- 2 x HB-RE022
- 2 x HB-RE124
- 2 x HB-RE023

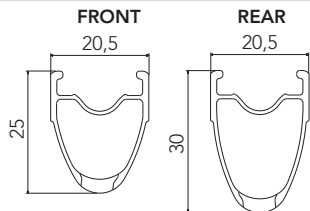


QUICK-RELEASES

OR11-20FRB

front + rear

RIM



FRONT RIM
 REAR RIM
 LABEL KIT
 VALVE HOLE
 2-WAY FIT™ VALVE
 DIAMETER

WH-113ZOB (with labels)
 WH-114ZOB (with labels)
 LAB-ZO2B13 (for a pair of front+rear wheels)
 6,5 mm
 WH-SH001
 634 mm

SPOKES

FRONT SPOKE
 REAR RH SPOKE
 REAR LH SPOKE
 NIPPLES
 NIPPLE INSERT
 NIPPLE MAGNET

WH-016ZOC
 WH-018ZOC
 WH-019ZOC
 50-WH-015ZO
 UT-WH035
 UT-WH050

4 spokes + 4 nipples
 4 spokes + 4 nipples
 4 spokes + 4 nipples
 50 pieces
 magnet-attractor for nipple
 nipple-guide

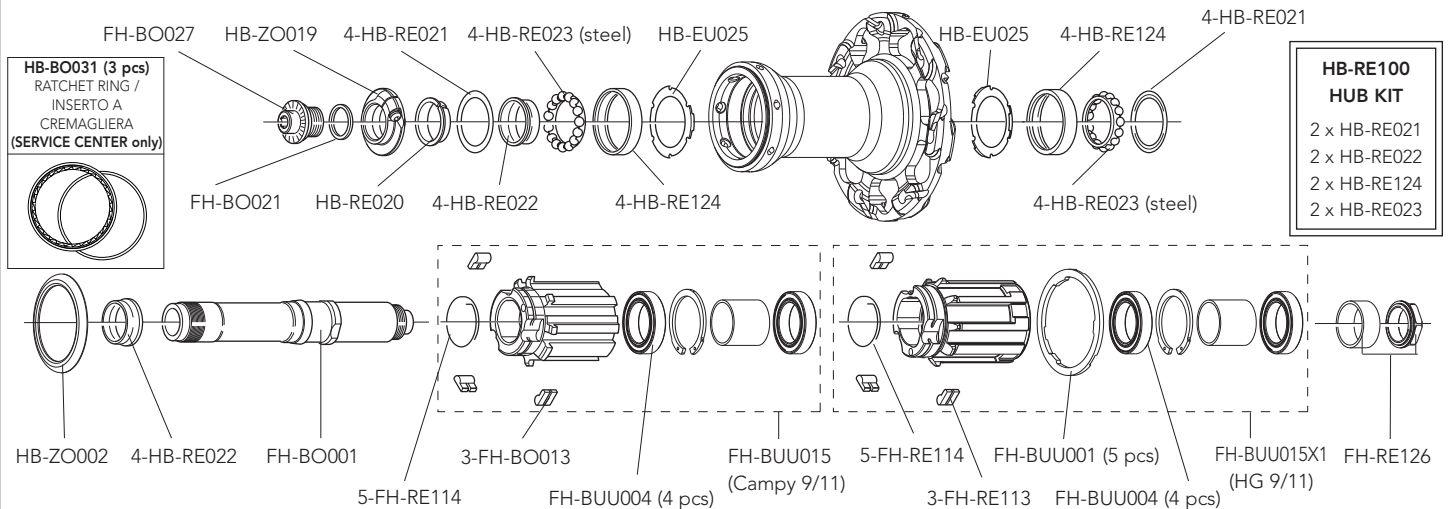
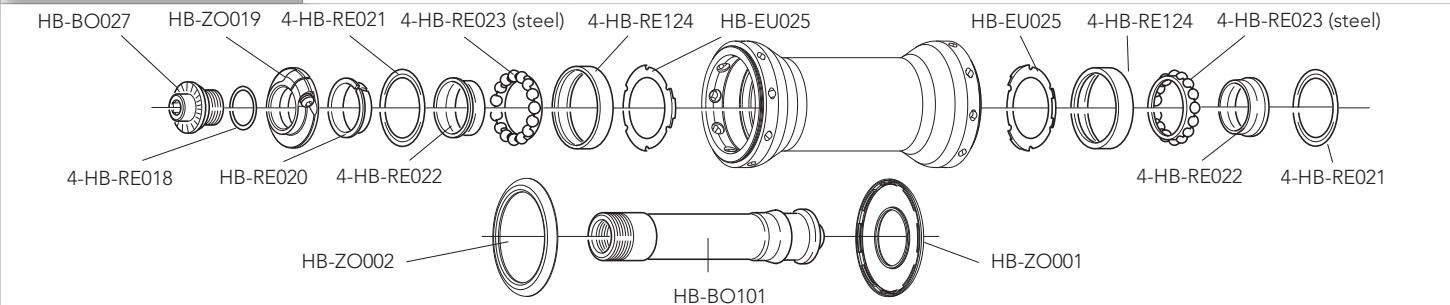
ACCESSORIES

Spacer for HG11 FW body

FH-BUU001

5 pcs - to be used only with 9/10s sprockets
(please note that every HG11 rear wheel/HG11 FW body package contains the spacer)

HUBS

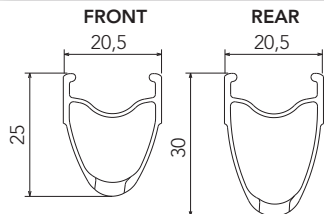


QUICK-RELEASES

QR11-20FRB

front + rear

RIM



FRONT RIM
REAR RIM
LABEL KIT
VALVE HOLE
DIAMETER

WH-303ZOB (with labels)
WH-404ZOB (with labels)
LAB-ZOCB13 (for a pair of front+rear wheels)
6,5 mm
622 X 15C

SPOKES

FRONT SPOKE
REAR RH SPOKE
REAR LH SPOKE
NIPPLES
NIPPLE INSERT
NIPPLE MAGNET

WH-016ZOC
WH-018ZOC
WH-019ZOC
50-WH-015ZO
UT-WH035
UT-WH050

4 spokes + 4 nipples
4 spokes + 4 nipples
4 spokes + 4 nipples
50 pieces
magnet-attractor for nipple
nipple-guide

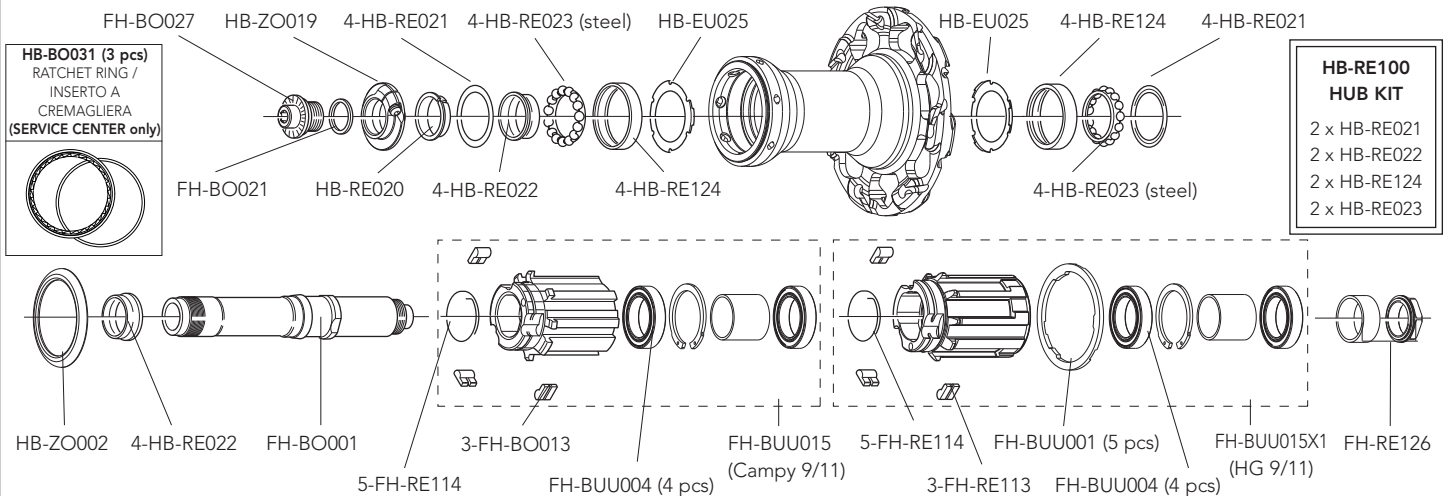
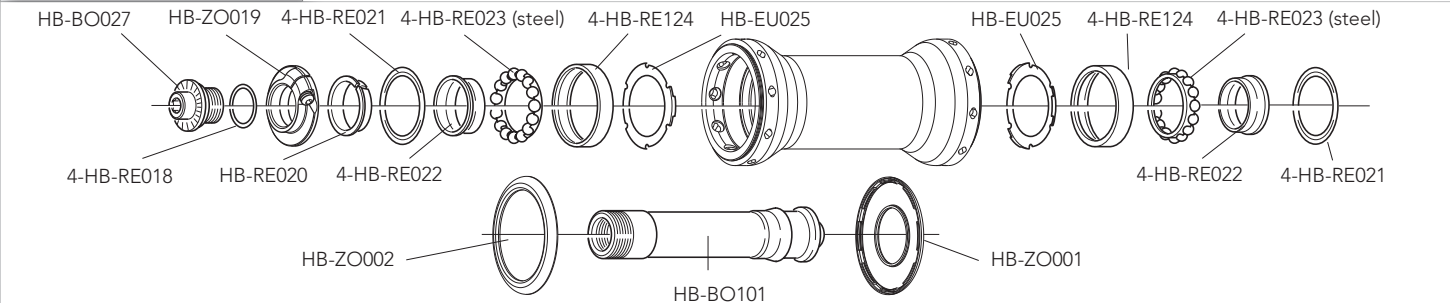
ACCESSORIES

Spacer for HG11 FW body

FH-BUU001

5 pcs - to be used only with 9/10s sprockets
(please note that every HG11 rear wheel/HG11 FW body package contains the spacer)

HUBS

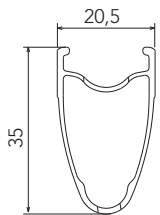


QUICK-RELEASES

QR11-20FRB

front + rear

RIM



RIM-TAPE
LABEL KIT
VALVE HOLE
DIAMETER

2-WH-RT02 (2 pieces)
LAB-SCCB13 (for a pair of front+rear wheels)
6,5 mm
700C (622 x 15C)

SPOKES

FRONT SPOKE
REAR RH SPOKE
REAR LH SPOKE

WH-016SCC
WH-018SCC
WH-019SCC

4 spokes + 4 nipples
4 spokes + 4 nipples
4 spokes + 4 nipples

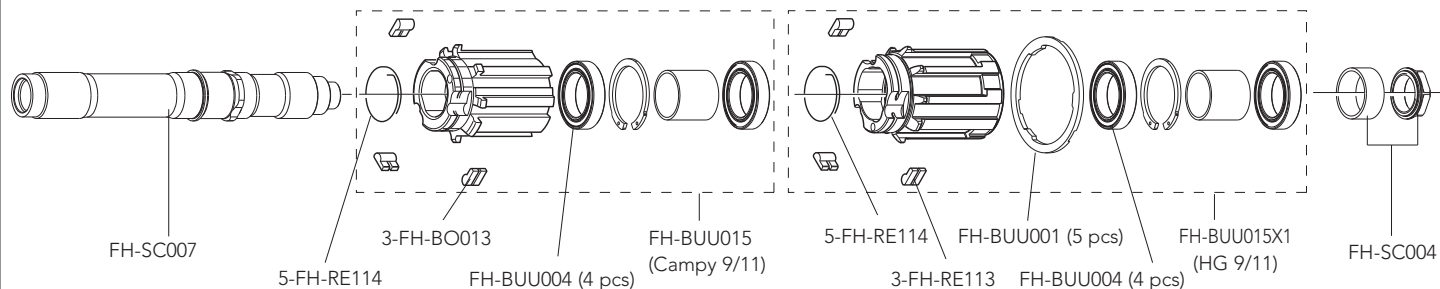
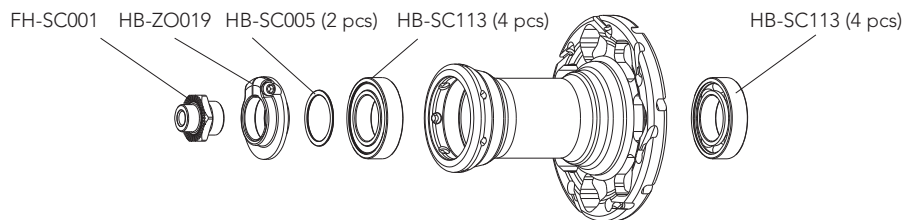
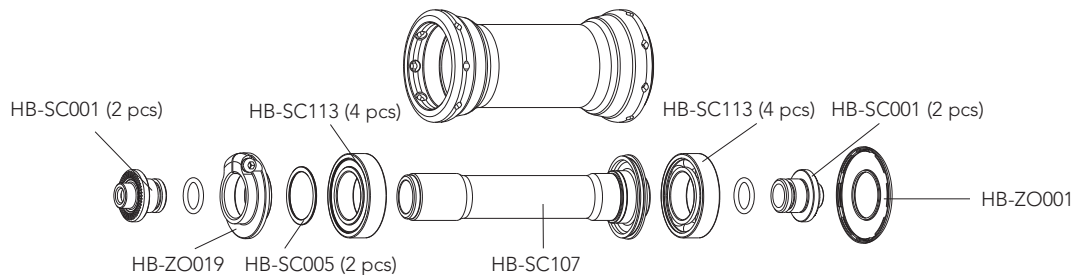
ACCESSORIES

Spacer for HG11 FW body

FH-BUU001

5 pcs - to be used only with 9/10s sprockets
(please note that every HG11 rear wheel/HG11 FW body package contains the spacer)

HUBS



QUICK-RELEASES

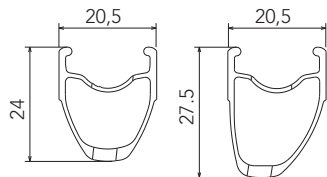
QR12-ZOBFR

front + rear

VENTO ASYMMETRIC G3

CLINCHER

RIM



RIM-TAPE
LABEL KIT
VALVE HOLE
DIAMETER

2-WH-RT02 (18 mm - 2 pieces)
LAB-VECB14G3 (for a pair of front+rear wheels)
6,5 mm
700C (622 x 15C)

SPOKES

FRONT/REAR RIGHT SPOKE
REAR LH SPOKE
NIPPLES

WH-016VEC
WH-119VEC
WH-NVE

4 spokes + 4 nipples
4 spokes + 4 nipples
50 pcs

ACCESSORIES

Spacer for HG11 FW body

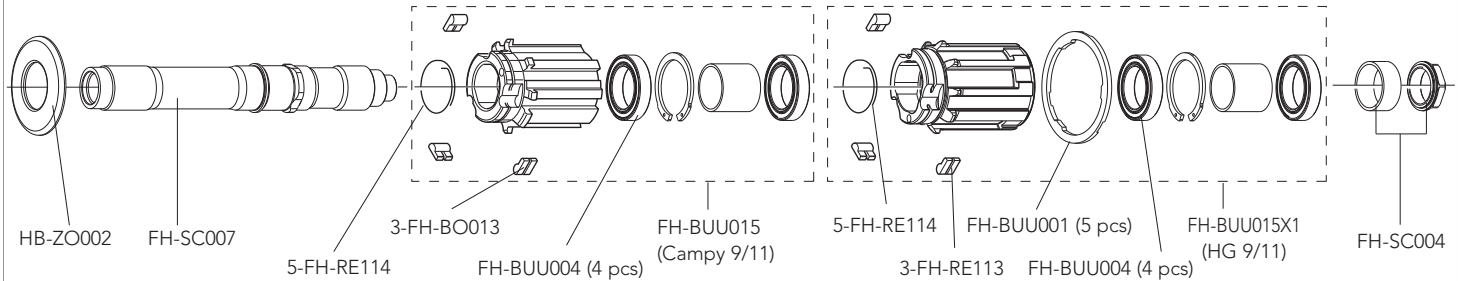
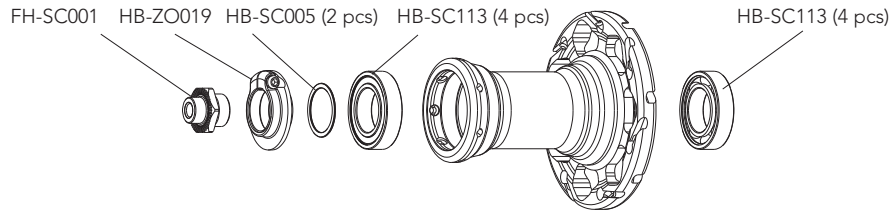
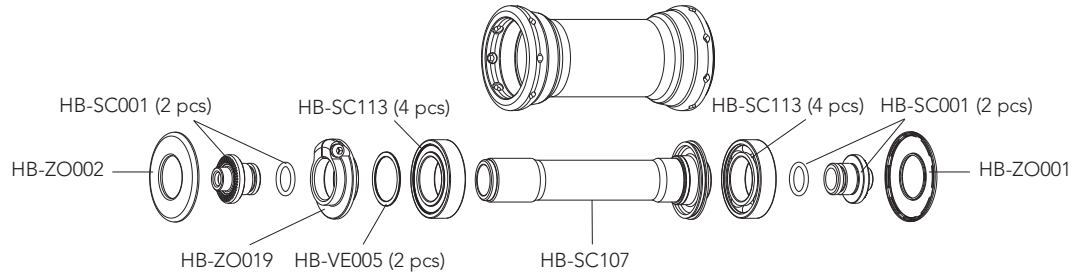
FH-BUU001

5 pcs - to be used only with 9/10s sprockets
(please note that every HG11 rear wheel/HG11 FW body package contains the spacer)

VENTO ASYMMETRIC G3

CLINCHER

HUBS



QUICK-RELEASES

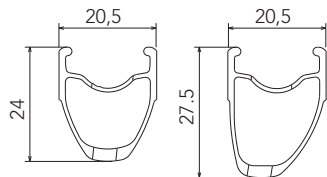
QR8-40BFR

front + rear

KHAMSIN ASYMMETRIC

CLINCHER

RIM



RIM-TAPE
LABEL KIT
VALVE HOLE
DIAMETER

2-WH-RT02 (18 mm - 2 pieces)
LAB-KHCB14 (BLACK - front+rear)
6,5 mm
700C (622 x 15C)

SPOKES

FRONT SPOKE
REAR RH SPOKE
REAR LH SPOKE

WH-016KHC
WH-018KHC
WH-019KHC

4 spokes + 4 nipples
4 spokes + 4 nipples
4 spokes + 4 nipples

ACCESSORIES

Spacer for HG11 FW body

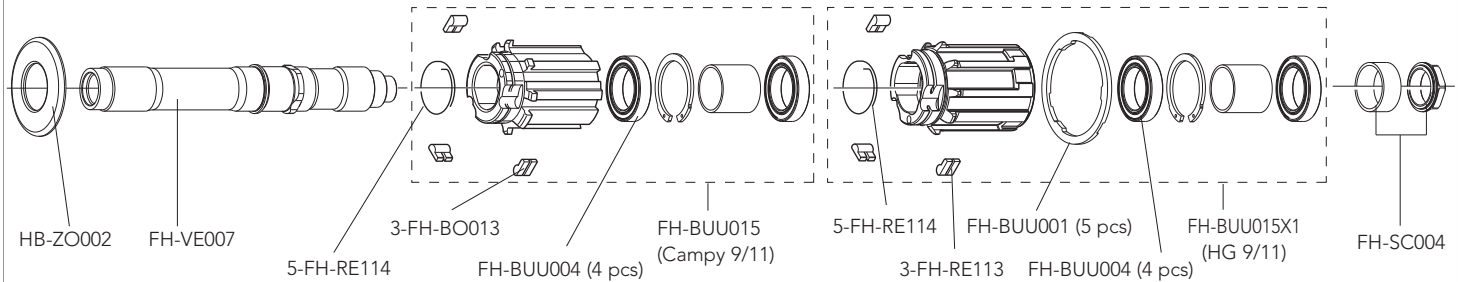
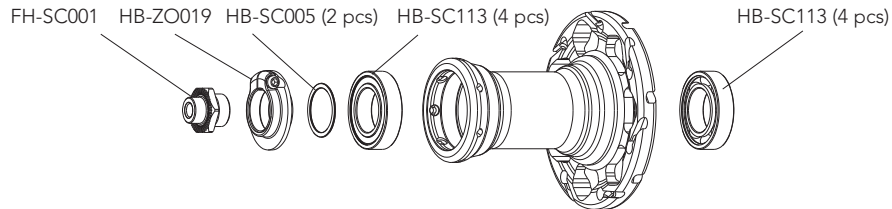
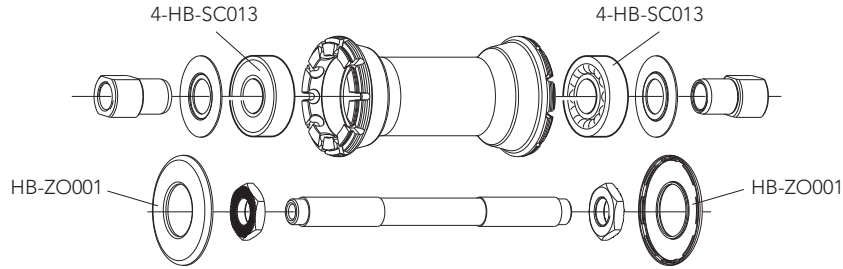
FH-BUU001

5 pcs - to be used only with 9/10s sprockets
(please note that every HG11 rear wheel/HG11 FW body package contains the spacer)

KHAMSIN ASYMMETRIC

CLINCHER

HUBS



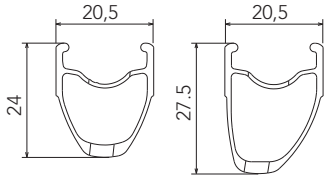
QUICK-RELEASES

QR8-40BFR

front + rear

KHAMSIN ASYMMETRIC G3

CLINCHER

RIM		
	RIM-TAPE LABEL KIT VALVE HOLE DIAMETER	2-WH-RT02 (18 mm - 2 pieces) LAB-KHCB14G3 (BLACK - front+rear) 6,5 mm 700C (622 x 15C)

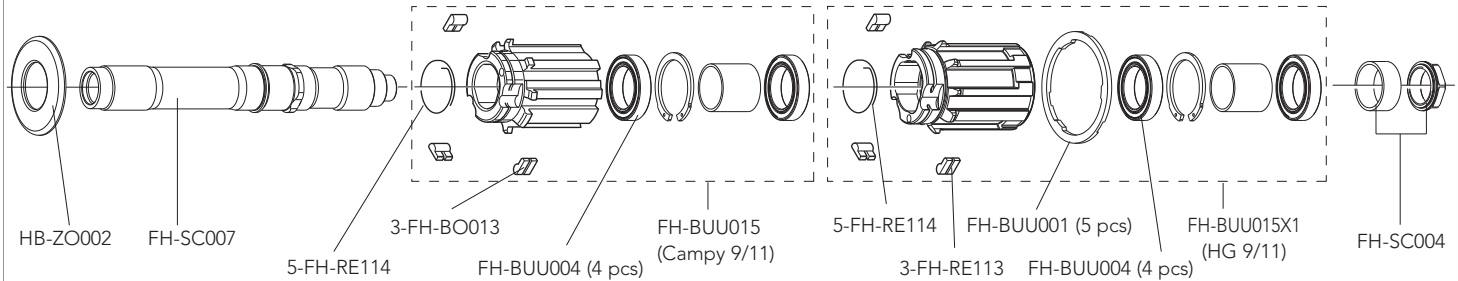
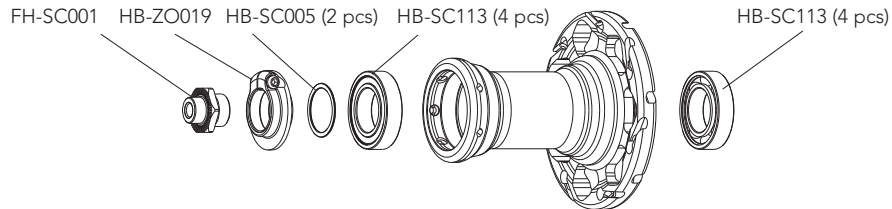
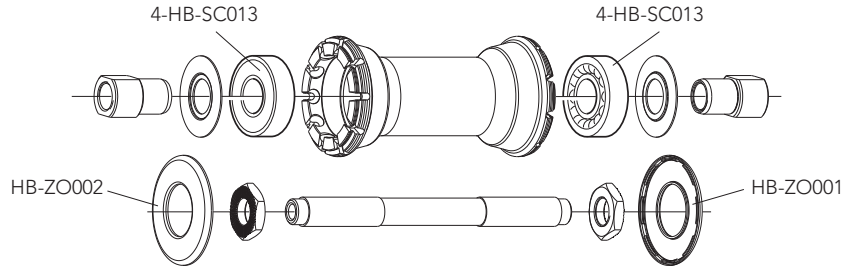
SPOKES		
FRONT SPOKE	WH-016KHC	4 spokes + 4 nipples
REAR RH SPOKE	WH-018KHC	4 spokes + 4 nipples
REAR LH SPOKE	WH-119KHC	4 spokes + 4 nipples

ACCESSORIES		
Spacer for HG11 FW body	FH-BUU001	5 pcs - to be used only with 9/10s sprockets <i>(please note that every HG11 rear wheel/HG11 FW body package contains the spacer)</i>

KHAMSIN ASYMMETRIC G3

CLINCHER

HUBS

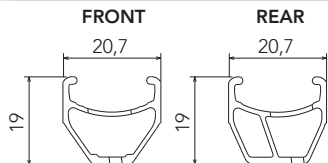


QUICK-RELEASES

QR8-40BFR

front + rear

RIM



FRONT RIM
REAR RIM
RIM-TAPE
LABEL KIT
VALVE HOLE
DIAMETER

WH-403NE (with labels)
WH-404NE (with labels)
2-WH-RT02 (18 mm - 2 pieces)
LAB-NECC07 (for a pair of front+rear wheels)
6,5 mm
700C (622 x 15C)

SPOKES

COMPLETE FRONT KIT
COMPLETE REAR KIT
MINI-KIT
NUTS
NUT SUPPORTING PLATES

KIT-33NE
KIT-34NE
KIT-500NE
10-WH-010BO
10-WH-011EU

22 front spokes + 22 nuts + 22 nut supporting plates
12 rear right spokes + 12 rear left spokes + 24 nuts + 24 nut supporting plates
2 front spokes + 2 rear right spokes + 2 rear left spokes + 6 nuts + 6 nut supporting plates
10 pieces
10 pieces

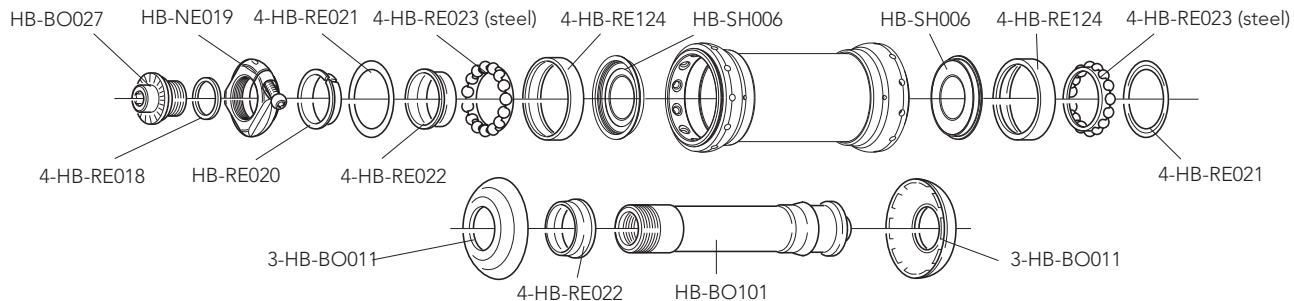
ACCESSORIES

Spacer for HG11 FW body

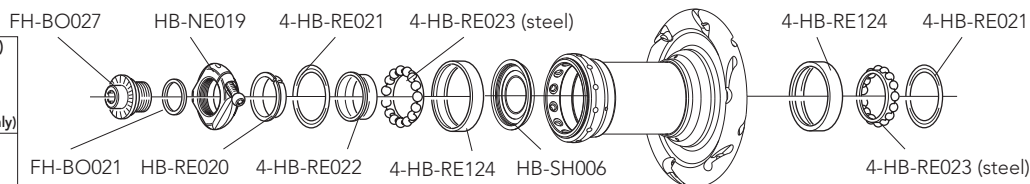
FH-BUU001

5 pcs - to be used only with 9/10s sprockets
(please note that every HG11 rear wheel/HG11 FW body package contains the spacer)

HUBS

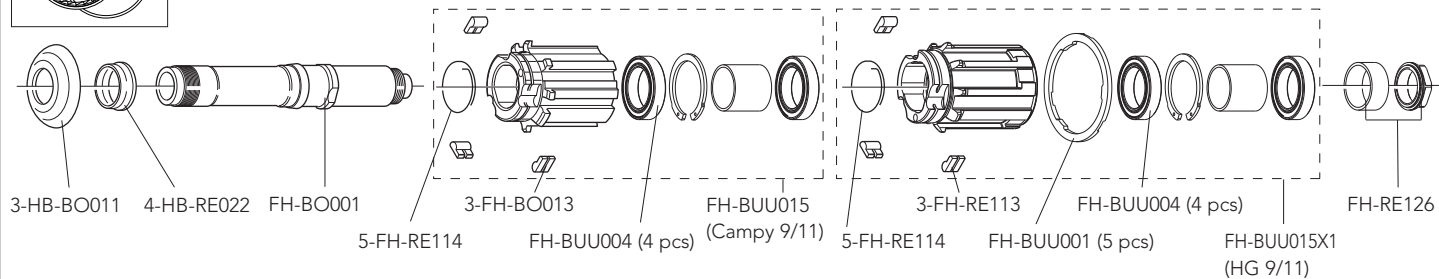


HB-BO031 (3 pcs)
 RATCHET RING /
 INSERTO A
 CREMAGLIERA
 (SERVICE CENTER only)



**HB-RE100
 HUB KIT**

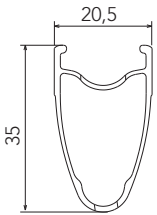
- 2 x HB-RE021
- 2 x HB-RE022
- 2 x HB-RE124
- 2 x HB-RE023



QUICK-RELEASES

QR11-20FRB

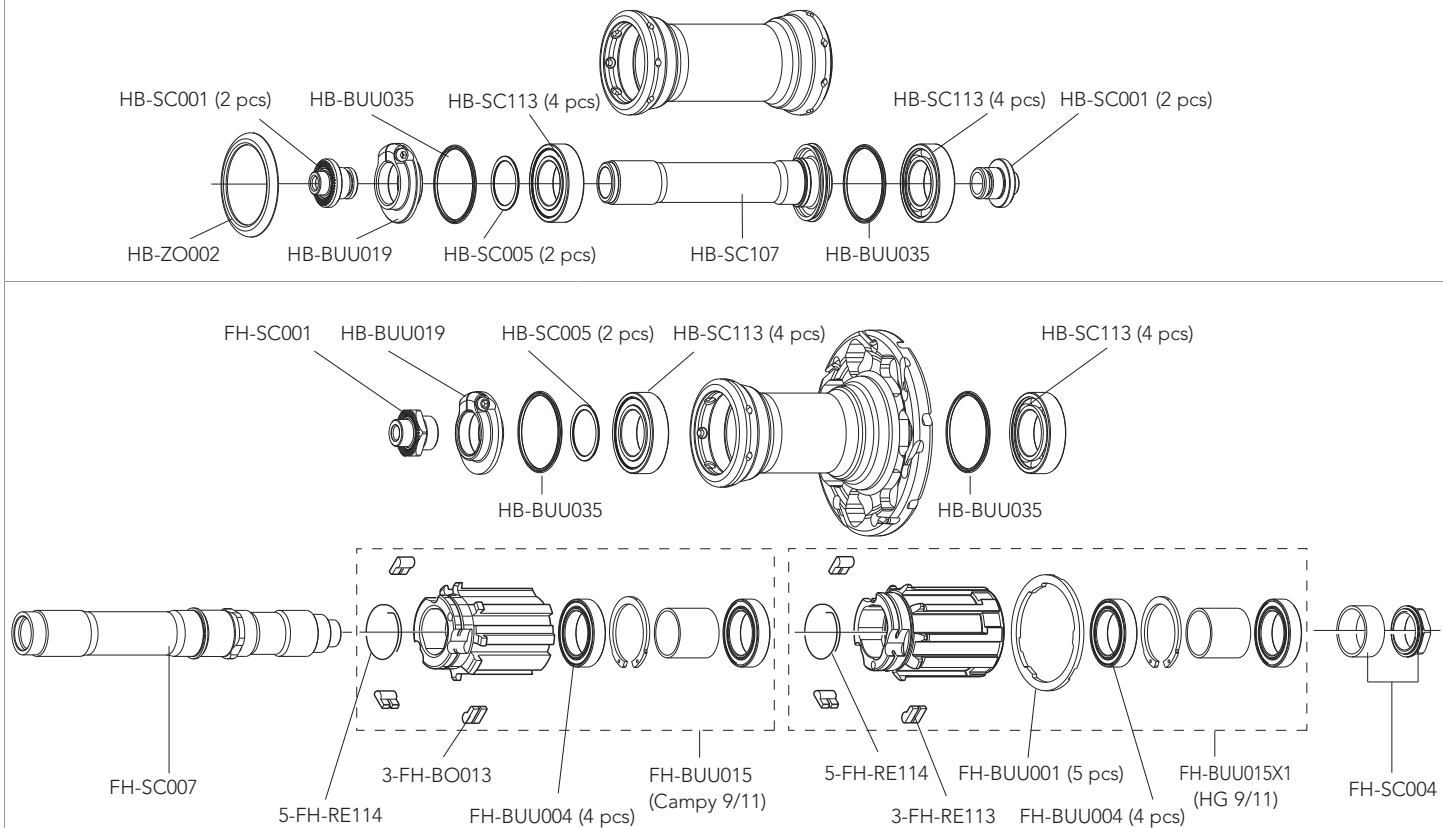
front + rear

RIM	
	<p>RIM-TAPE LABEL KIT VALVE HOLE DIAMETER</p> <p>2-WH-RT02 (18 mm - 2 pieces) LAB-SCXCB13 (for a pair of front+rear wheels) 6,5 mm 700C (622 x 15C)</p> <p>These wheels are designed to mount cyclo-cross up to 35 mm tyres. We highly recommend complying with maximum pressures indicated on cyclo-cross tyres. Do not use 29" MTB tyres.</p>

SPOKES	
<p>FRONT SPOKE REAR RH SPOKE REAR LH SPOKE</p>	<p>WH-016SCC WH-018SCC WH-019SCC</p> <p>4 spokes + 4 nipples 4 spokes + 4 nipples 4 spokes + 4 nipples</p>

ACCESSORIES	
<p>Spacer for HG11 FW body</p>	<p>FH-BUU001</p> <p>5 pcs - to be used only with 9/10s sprockets <i>(please note that every HG11 rear wheel/HG11 FW body package contains the spacer)</i></p>

HUBS



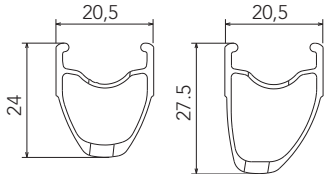
QUICK-RELEASES

QR12-ZOBFR

front + rear

KHAMSIN ASYMMETRIC CX

CLINCHER

RIM	
	<p>RIM-TAPE LABEL KIT VALVE HOLE DIAMETER</p> <p>2-WH-RT02 (18 mm - 2 pieces) LAB-KHCB14 (BLACK - front+rear) 6,5 mm 700C (622 x 15C)</p> <p>These wheels are designed to mount cyclo-cross up to 35 mm tyres. We highly recommend complying with maximum pressures indicated on cyclo-cross tyres. Do not use 29" MTB tyres.</p>

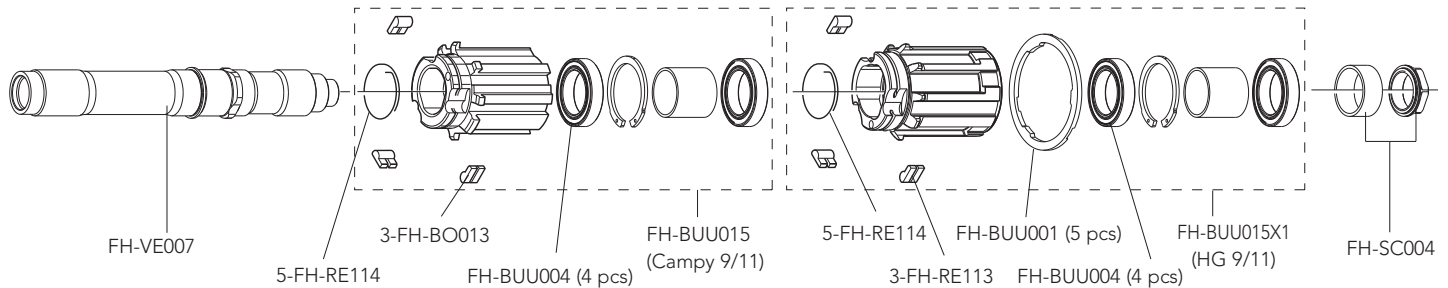
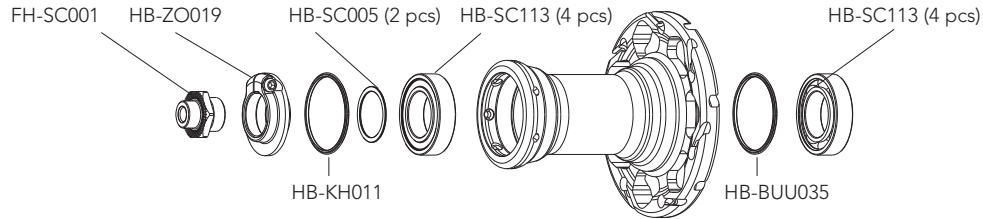
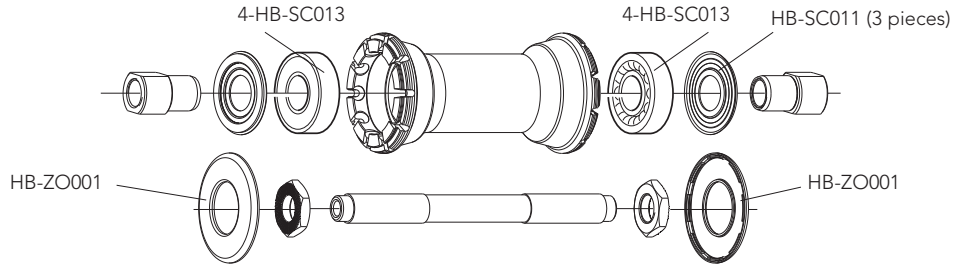
SPOKES		
FRONT SPOKE	WH-016KHC	4 spokes + 4 nipples
REAR RH SPOKE	WH-018KHC	4 spokes + 4 nipples
REAR LH SPOKE	WH-019KHC	4 spokes + 4 nipples

ACCESSORIES		
Spacer for HG11 FW body	FH-BUU001	5 pcs - to be used only with 9/10s sprockets <i>(please note that every HG11 rear wheel/HG11 FW body package contains the spacer)</i>

KHAMSIN ASYMMETRIC CX

CLINCHER

HUBS

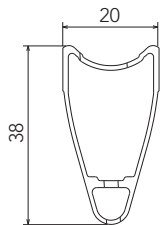


QUICK-RELEASES

QR8-40BFR

front + rear

RIM



FRONT RIM
 REAR RIM
 LABEL KIT
 VALVE HOLE
 VALVE EXTENSION
 DIAMETER

WH-001PI (with labels)
 WH-002PI (with labels)
 LAB-PIT07 (for a pair of front+rear wheels)
 6,5 mm
 UT-HU100
 634 mm

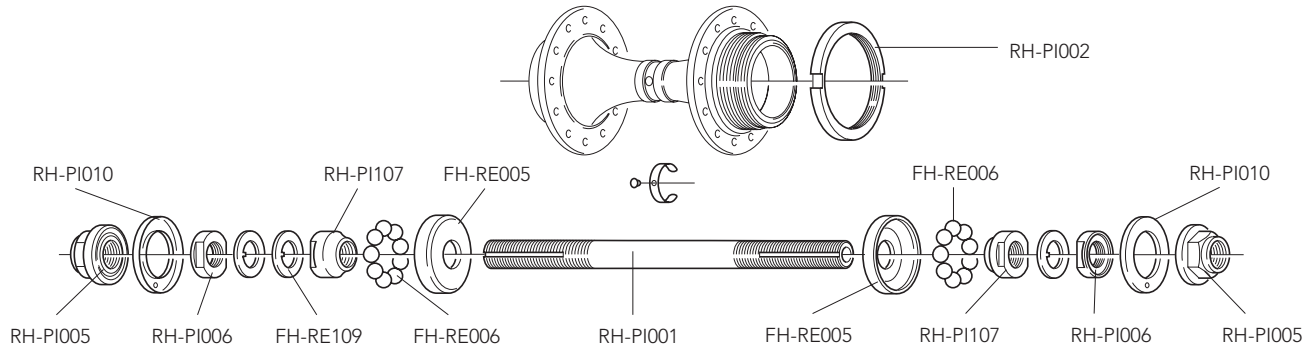
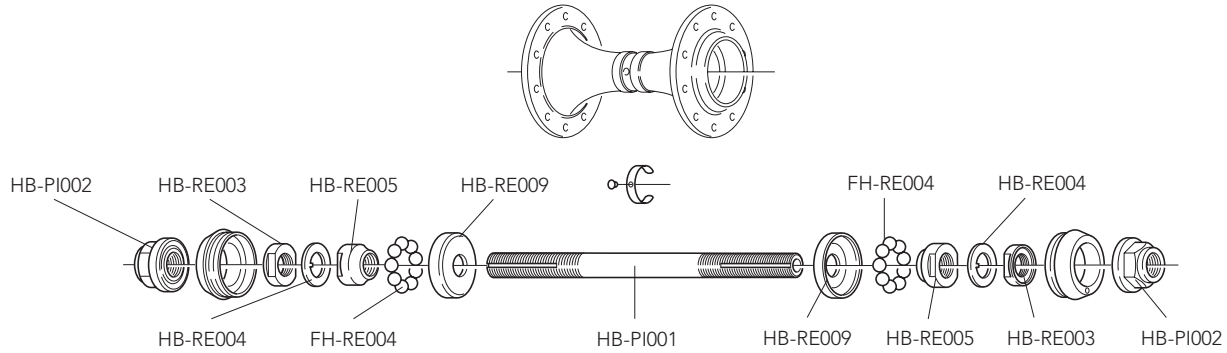
SPOKES

COMPLETE FRONT KIT
 COMPLETE REAR KIT
 MINI-KIT
 NUTS
 NUT SUPPORTING PLATES

KIT-01PI
 KIT-02PI
 KIT-100PI
 10-WH-010BO
 10-WH-011EU

22 front spokes + 22 nuts + 22 nut supporting plates
 24 rear spokes + 24 nuts + 24 nut supporting plates
 3 front spokes + r3 ear spokes + 6 nuts + 6 nut supporting plates
 10 pieces
 10 pieces

HUBS



BORA ULTRA TT

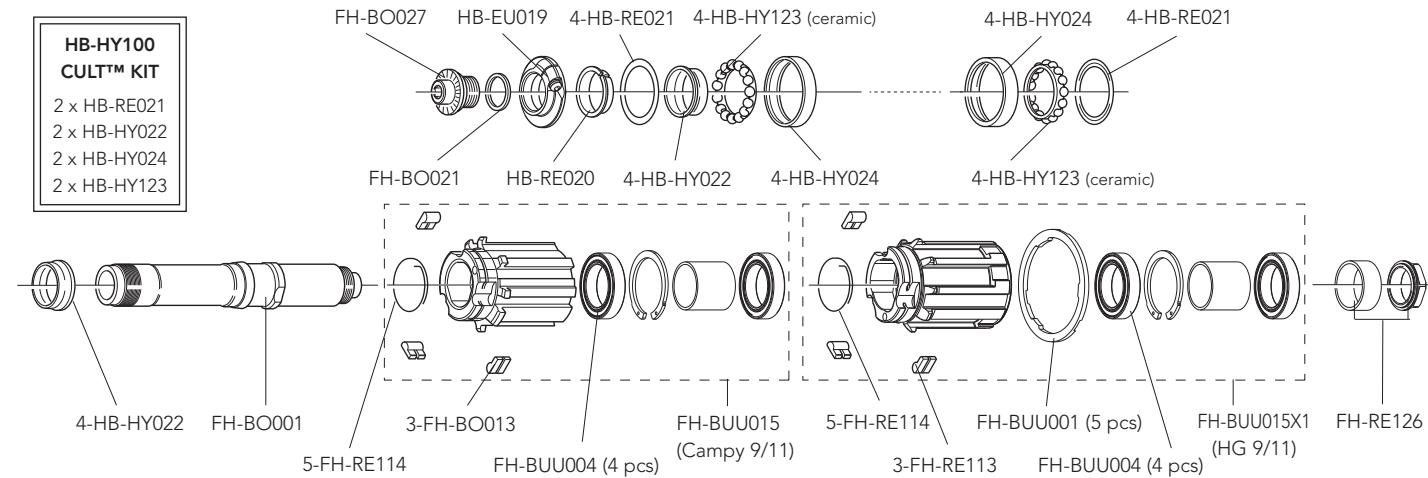
TUBULAR

RIM

LABEL	LAB-BOT15TT
VALVE HOLE STICKERS	WH-100BOTT (5 pcs)
VALVE HOLE BUSHINGS	WH-BUU002
VALVE EXTENSION	UT-HU130M
BRAKE SHOES	for carbon rims - BR-BO500 (for brakes with retention spring or interference fixing) - BR-BO500X (for brakes with screw fixing)

HUBS

REAR ROAD



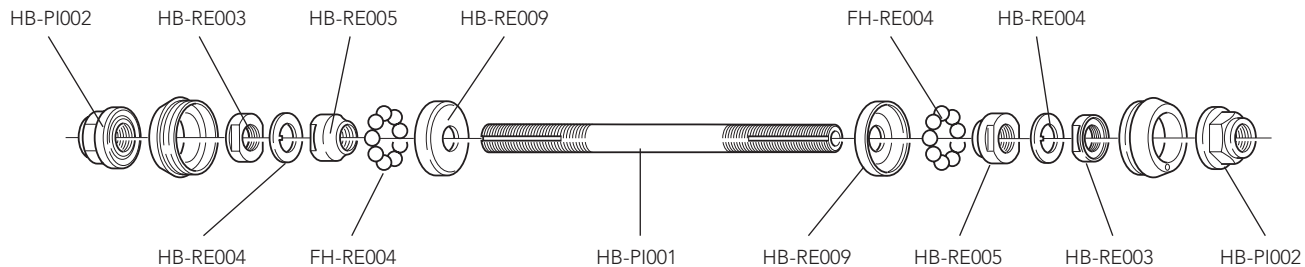
QUICK-RELEASES

QR12-BUUBFR

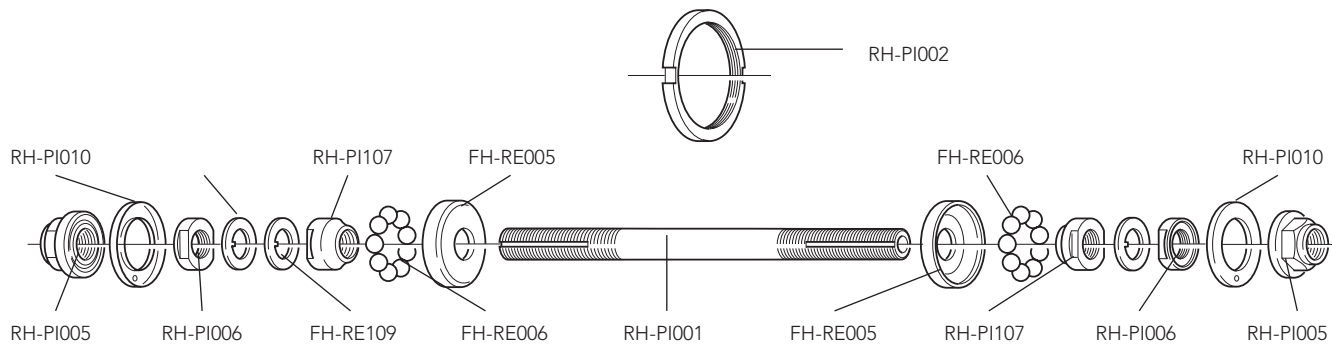
front + rear

HUBS

FRONT TRACK



REAR TRACK



QUICK RELEASE



LOW-PROFILE WHEELS

NEUTRON™ ULTRA™

QR11-20FRB

HYPERON™ ULTRA™ Two

QR12-BUUBFR

MEDIUM-PROFILE WHEELS

KHAMSIN™ ASYMMETRIC™

QR8-40BFR

VENTO™ ASYMMETRIC™

QR8-40BFR

SCIROCCO™ 35

QR12-ZOBFR

ZONDA™

QR12-ZOBFR

EURUS™

QR11-20FRB

SHAMAL™ ULTRA™

QR11-20FRB

ZONDA™ 2-Way Fit™

QR11-20FRB

EURUS™ 2-Way Fit™

QR11-20FRB

SHAMAL™ ULTRA™ 2-Way Fit™

QR11-20FRB

SHAMAL™ MILLE

QR13-80FR

ALU/CARBON HIGH-PROFILE WHEELS

BULLET™

QR12-ZOBFR

BULLET™ ULTRA™

QR12-BUUBFR

CARBON HIGH-PROFILE WHEELS

BORA™ One

QR12-BUUBFR

BORA™ One 35

QR12-BUUBFR

BORA™ ULTRA 35

QR12-BUUBFR

BORA™ ULTRA™ Two

QR12-BUUBFR

BORA™ ULTRA™ 80

QR12-BUUBFR

CX WHEELS

KHAMSIN™ ASYMMETRIC™ CX

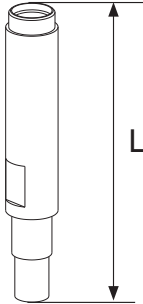
QR8-40BFR


SCIROCCO™ 35 CX

QR12-ZOBFR

VALVE EXTENSIONS

Your BULLET/BULLET ULTRA/BORA ULTRA 80 wheels are supplied with valve extensions that correspond to depth of the rim as follows:

PROFILE RIM	MALE VALVE ADAPTER (SUPPLIED)		
BULLET/BULLET ULTRA H50	UT-WH130M	L = 35 mm	
BULLET/BULLET ULTRA H80	UT-WH140M	L = 65 mm	
BULLET/BULLET ULTRA H105	UT-WH150M	L = 90 mm	
BORA ULTRA H50	UT-HU150	L = 35 mm	
BORA ULTRA H80	UT-WH160M	L = 74 mm	

PROFILE RIM	FEMALE VALVE ADAPTER (OPTION)		
BULLET/BULLET ULTRA H50	UT-WH130F	L = 37 mm	
BULLET/BULLET ULTRA H80	UT-WH140F	L = 67 mm	
BULLET/BULLET ULTRA H105	UT-WH150F	L = 92 mm	
BORA ULTRA H80	UT-WH160F	L = 80 mm	

USE AIR CHAMBERS (INNER TUBES) WITH A LONG VALVE (AT LEAST 35 mm).

2015 BRAKE PADS COMPATIBILITY TABLE

BRAKE PADS HOLDER

RIM WITH CARBON BRAKING RIM

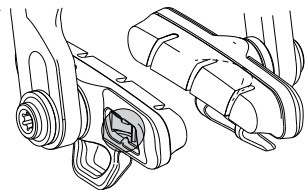
RIM WITH P.E.O. COATED BRAKING RIM

RIM WITH ALUMINIUM BRAKING RIM

RED BRAKE PADS

BLUE BRAKE PADS

BLACK BRAKE PADS



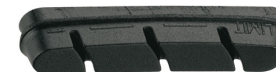
FIXING OF THE BRAKE PAD WITH RETENTION SPRING



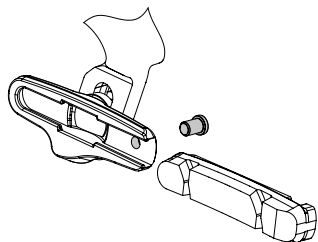
BR-BO500



BR-PEO500



BR-SR500 / BR-RE700



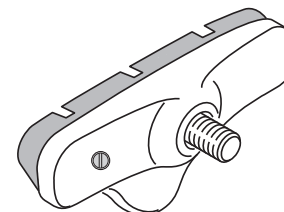
FIXING OF THE BRAKE PAD WITH SCREWS



BR-BO500X

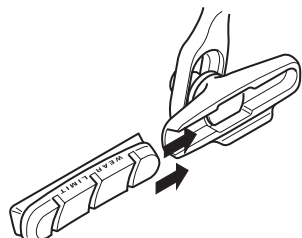


BR-PEO500X



BR-VL040B (Black)

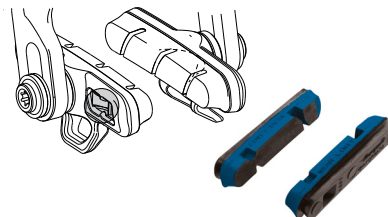
BR-VL040S (Silver)



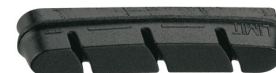
FIXING OF THE BRAKE PAD BY INTERFERENCE



BR-BO500

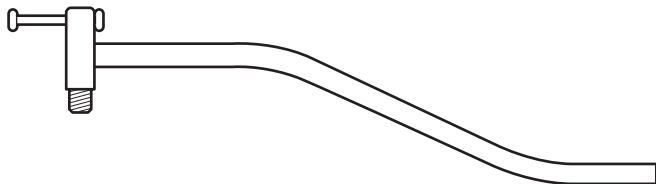


BR-SR040 (Black) + BR-PEO500



BR-RE700

FRAME PREPARATION / FRONT DERAILLEUR



UT-VS030

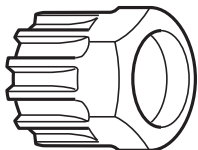
Riscontro allineamento occhiello attacco cambio
Rear derailleur hanger alignment tool
Calibre de contrôle attache de dérailleur arrière
Richtwerkzeug zur Kontrolle von Ausfallende mit Schaltauge



UT-FD020

Dima per corretto posizionamento deragliatore (2 pz - per Z50 e Z52)
Front derailleur alignment tool (2 pcs - for Z50 and Z52)
Calibre de contrôle montage du dérailleur avant (2 pcs - pour Z50 et Z52)
Richtwerkzeug für Umwerfer-Montage (2 St. - für Z50 und Z52)

BOTTOM BRACKET / CRANKSET

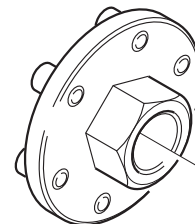


UT-BB080 (1 pz.) - **10-UT-BB080** (10 pz.):

Chiave per montaggio movimenti centrali CART e ghiera di chiusura pacchi pignoni
Cartridge bottom bracket and sprocket cassette- lock ring remover
Clé pour montage jeux de pédalier CART et roues-libres à cassette
Schlüssel zur Montage von Patronen-Tretlager und Schließring für Freilaufzahnkranz

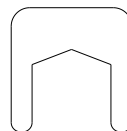
UT-BB100

Utensile per movimenti a cartuccia Daytona/Centaur™, Veloce™ e Mirage™
Tool for Daytona/Centaur™, Veloce™ and Mirage™ cartridge bottom bracket
Clé pour jeux de pédalier à cartouche Daytona/Centaur™, Veloce™ et Mirage™
Montageschlüssel für Daytona/Centaur™, Veloce™ und Mirage™ Patronen-Tretlager



UT-FC090

Inserto per estrattore pedivella sinistra POWER TORQUE™
Insert for left POWER TORQUE™ crank extractor
Insert pour extracteur manivelle gauche POWER TORQUE™
Einsatz für linken POWER TORQUE™ Kurbelabzieher



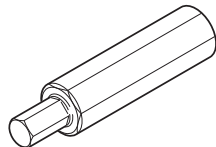
UT-FC095

Protezione per estrazione pedivella sx POWER TORQUE™
(5 pz)
shield f. left POWER TORQUE™ crank extractor insert (5 pcs)
écran insert extracteur manivelle gauche POWER TORQUE™ (5 pcs)
Schutz für Einsatz für LH POWER TORQUE™ Kurbelabzieher (5 St)

CRANKSET

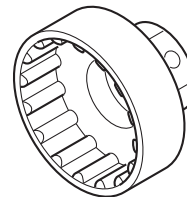
UT-BB110

Utensile per vite fissaggio guarnitura ULTRA-TORQUE™
Tool for ULTRA-TORQUE™ crankset fixing screw
Outil pour vis de fixation pédalier ULTRA-TORQUE™
Werkzeug für ULTRA-TORQUE™ Kettenradgarnitur Befestigungsschraube



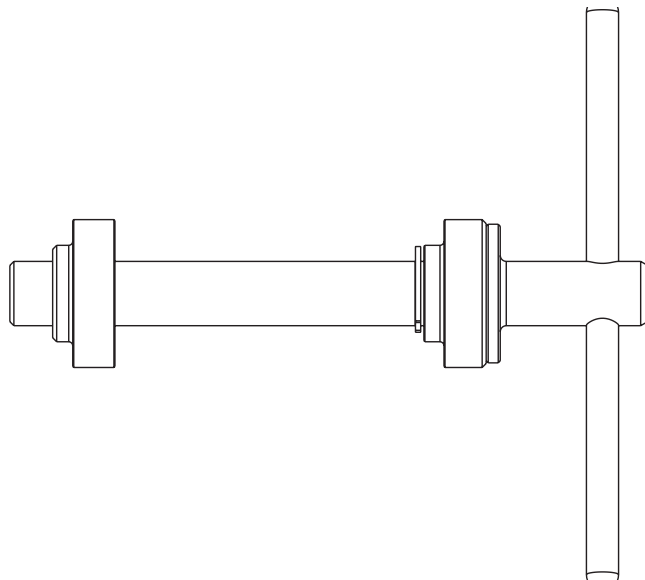
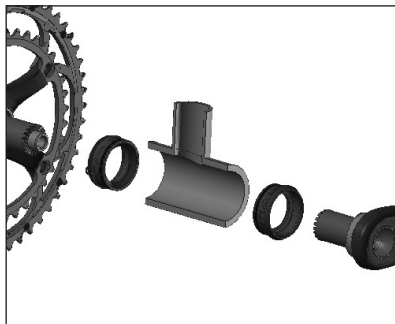
UT-BB130

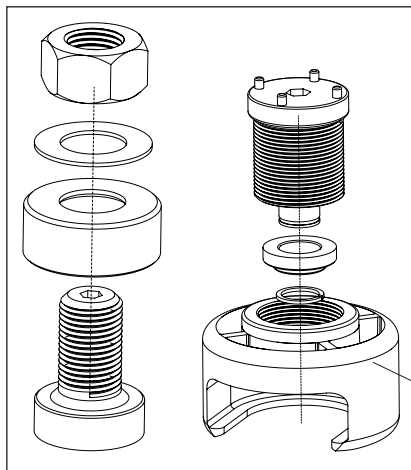
Chiave per calotte esterne guarnitura
Tool for crankset overboard cups
Outil pour cuvettes pédalier
Werkzeug für Kettenradgarnitur Lagerschalen



UT-BB140

Utensile per piantaggio calotte integrate OS-Fit™
Tool for OS-Fit™ crankset overboard cups
Outil pour cuvettes pédalier OS-Fit™
Werkzeug für OS-Fit™ Kettenradgarnitur Lagerschalen



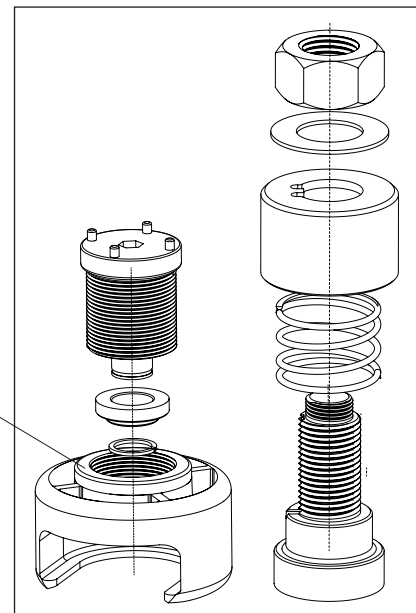


UT-FC220

Attrezzo montaggio/smontaggio guarniture OVER-TORQUE™
OVER-TORQUE™ crankset assembly & disassembly tool
Outil montage/démontage pédalier OVER-TORQUE™
Werkzeug für OVER-TORQUE™ Kettenradgarnitur Montage/
Demontage

UT-FC221

Corpo estrattore per attrezzo UT-FC120 e UT-FC220
Extractor body for UT-FC120 and UT-FC220
Corps extracteur pour outil UT-FC120 e UT-FC220



UT-FC120

Attrezzo montaggio/smontaggio guarniture OVER-TORQUE™ (per avvitatori automatici)
OVER-TORQUE™ crankset assembly & disassembly tool (industrial machine assist assembly tool)

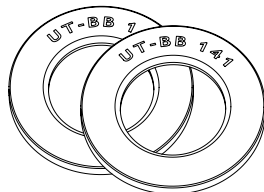
UT-BB141

Adattatore OVER-TORQUE™ per utensile UT-BB140
per piantaggio calotte integrate

OVER-TORQUE™ adapter for tool UT-BB140 for
crankset overboard cups

Adapteur OVER-TORQUE™ pour outil UT-BB140 pour
cuvettes pédalier

Adapter-kit für OVER-TORQUE™ KRG für Werkzeug
UT-BB140

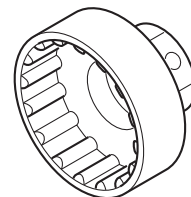


UT-BB150

Chiave per calotte esterne OVER-TORQUE™
Tool for OVER-TORQUE™ overboard cups

Outil pour cuvettes OVER-TORQUE™

Werkzeug für OVER-TORQUE™ Lagerschalen



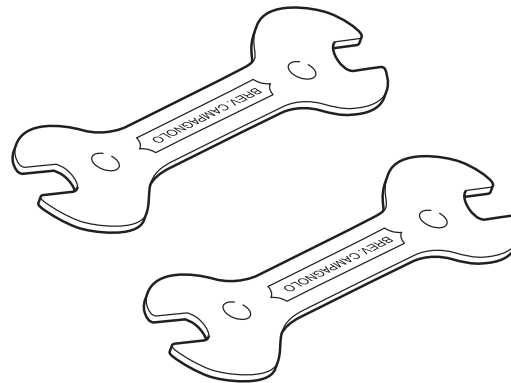
UT-BR010

Coppia chiavi 13-14 per registrazione freni e coni mozzi

Pair of 13-14 mm spanners for adjusting brakes and hub cones

Paire clés 13-14 pour réglage freins et cônes de moyeux

13-14 mm Schlüssel (2 Stücke) zum Einstellen von Bremsen und Nabelknoten



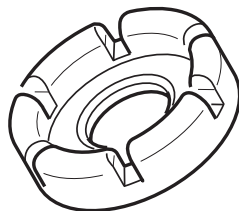
UT-HU050

Tiraraggi

Spoke wrench

Clé à rayons

Speichenschlüssel



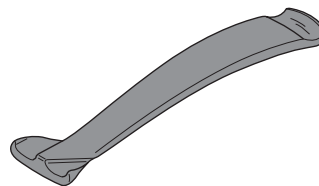
WH-109HYC (6 pcs.)

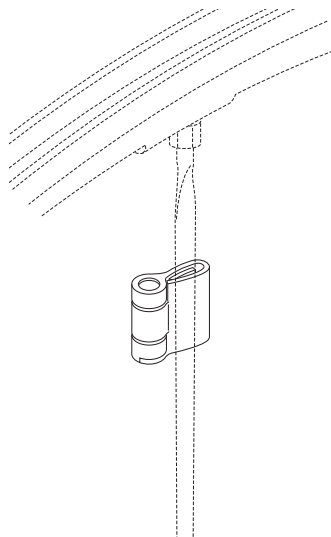
Leva in composito per rimozione copertoncino

Composite lever for removing clinchers

Démonte-pneus en composite

Reifenheber aus Verbundwerkstoff zum Abnehmen des Drahtreifens



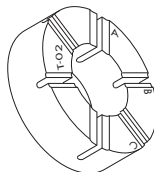


UT-WH080

Magnete velocità per raggi EURUS™ / SHAMAL™ ULTRA™

SPD magnet for EURUS™ / SHAMAL™ ULTRA™ spokes

Aimant vitesse pour rayons EURUS™ / SHAMAL™ ULTRA™



UT-WH010

Anello anti-rotazione raggi
Spoke antirotation ring
Bague antirotation des rayons



UT-WH020

Inserto nipplo attira-magnete per EURUS™/SHAMAL™ ULTRA™
Magnet-attracting nipple insert for EURUS™/SHAMAL™ ULTRA™
Insert d'écrou pour attirer l'aimant EURUS™/SHAMAL™ ULTRA™

UT-WH030

Inserto nipplo attira-magnete per ZONDA™ 06
Magnet-attracting nipple insert for ZONDA™ 06
Insert d'écrou pour attirer l'aimant ZONDA™ 06

UT-WH035

Inserto nipplo attira-magnete per ZONDA™ 2012
Magnet-attracting nipple insert for ZONDA™ 2012
Insert d'écrou pour attirer l'aimant ZONDA™ 2012

UT-WH160

Inserto nipplo attira-magnete per BULLET/BULLET ULTRA
Magnet-attracting nipple insert for BULLET/BULLET ULTRA
Insert d'écrou pour attirer l'aimant BULLET/BULLET ULTRA

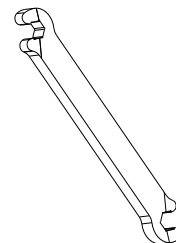
UT-WH090

Chiave tiraraggi BULLET/BULLET
ULTRA/BORA ULTRA 80
Spoke wrench BULLET/BULLET
ULTRA/BORA ULTRA 80
Clé à rayons BULLET/BULLET
ULTRA/BORA ULTRA 80



UT-WH070

Chiave tiraraggi
Spoke wrench
Clé à rayons

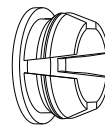


WHEELS



UT-WH050

Magnete guida-nipplo
Nipple guide magnet
Aimant de guidage écrou

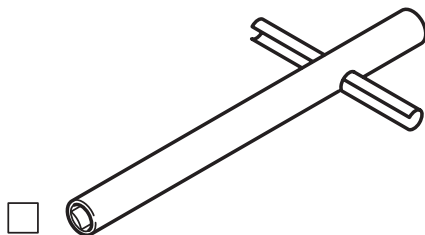


5-WH-SH002

Bussola riduzione sede valvola 2WF (5 pz)
Valve hole bushing for 2WF (5 pcs)
Bague pour valve 2WF (5 pcs)

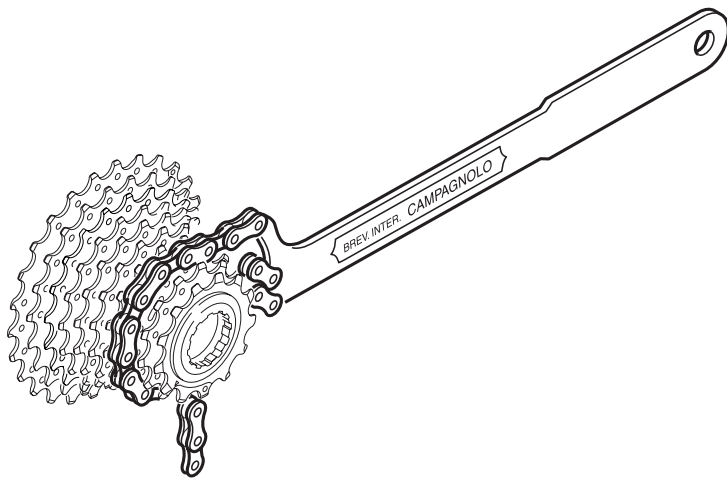
WH-BUU002

Bussola riduzione sede valvola BULLET/BULLET ULTRA/BORA ULTRA 80 (5 pz)
Valve hole bushing for BULLET/BULLET ULTRA/BORA ULTRA 80 (5 pcs)
Bague pour valve BULLET/BULLET ULTRA/BORA ULTRA 80 (5 pcs)



UT-HU060

Chiave per raggi ruote Bora™ (fino a gamma '02)
Bora™ wheel truing tool (till '02 range)
Clé à rayons pour Bor™a (jusqu'à la gamme '02)
Vierkant-Nippelspanner für Bora™ (bis '02 Produktlinie)



UT-CS060

Chiave con catena 10s per smontaggio pignoni 11s, 10s, 9s e 8s

Spanner with 10s chain for 11, 10, 9 and 8s sprockets

Fouet à chaîne 10s pour pignons 11s, 10s, 9s et 8s

Zahnkranzabnehmer mit Rennkette 10s für 11-, 10-, 9- und 8s Ritzeln

CHAIN

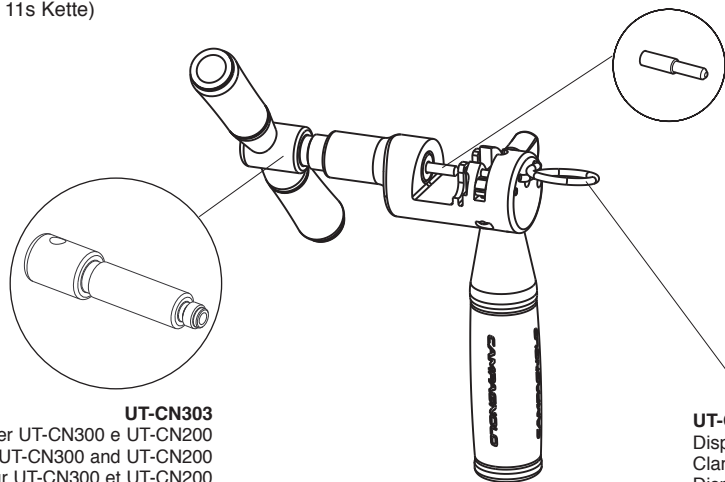
UT-CN300

Utensile per *Ultra-Link™* (solo catene 11s)

Tool for *Ultra-Link™* (11s chains only)

Outil pour *Ultra-Link™* (seulement chaînes 11s)

Werkzeug für *Ultra-Link™* (nur 11s Kette)



UT-CN301

Spintore per UT-CN300 e UT-CN200

Pusher for UT-CN300 and UT-CN200

Poinçon pour UT-CN300 et UT-CN200

Schieber für UT-CN300 und UT-CN200

UT-CN303

Perno centrale per UT-CN300 e UT-CN200

Central axle for UT-CN300 and UT-CN200

Axe central pour UT-CN300 et UT-CN200

Achse für UT-CN300 und UT-CN200

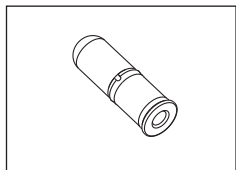
UT-CN302

Dispositivo di blocco per UT-CN300

Clamping device for UT-CN300

Dispositif de blocage pour UT-CN300

Sperrvorrichtung für UT-CN300



5-CN-RE500

Ultra-Link™ per catene 11s (5 pz)

Ultra-Link™ for 11s chains only (5 pcs)

Ultra-Link™ pour chaînes 11s (5 pcs)

Ultra-Link™ für 11s Kette (5 St.)

CHAIN

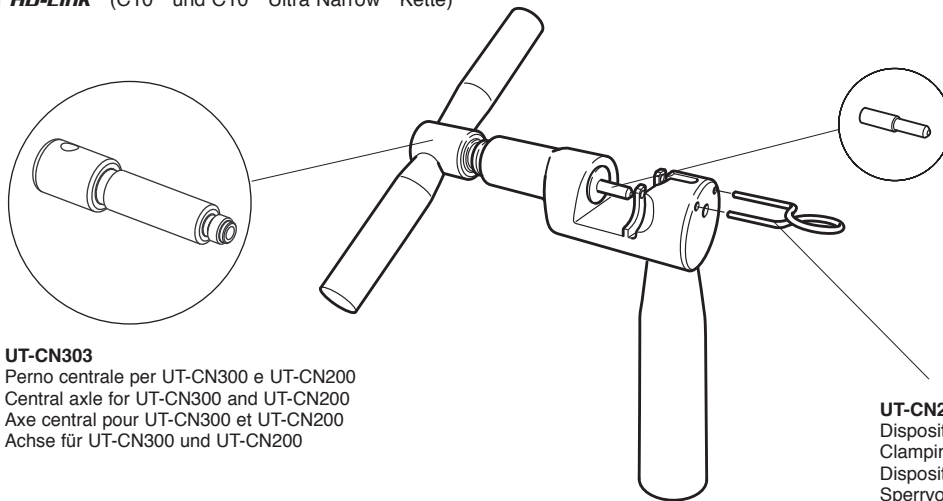
CAMPY™ UT-CN200

Utensile per **HD-Link™** (catene C10™ e C10™ Ultra Narrow™)

Tool for **HD-Link™** (C10™ and C10™ Ultra Narrow™ chains)

Outil pour **HD-Link™** (chaînes C10™ et C10™ Ultra Narrow™)

Werkzeug für **HD-Link™** (C10™ und C10™ Ultra Narrow™ Kette)



UT-CN303

Perno centrale per UT-CN300 e UT-CN200

Central axle for UT-CN300 and UT-CN200

Axe central pour UT-CN300 et UT-CN200

Achse für UT-CN300 und UT-CN200

UT-CN301

Spintore per UT-CN300 e UT-CN200

Pusher for UT-CN300 and UT-CN200

Poinçon pour UT-CN300 et UT-CN200

Schieber für UT-CN300 und UT-CN200

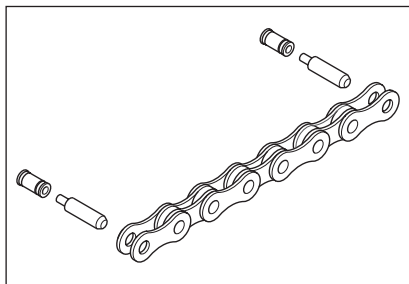
UT-CN202

Dispositivo di blocco per UT-CN200

Clamping device for UT-CN200

Dispositif de blocage pour UT-CN200

Spervorrichtung für UT-CN200



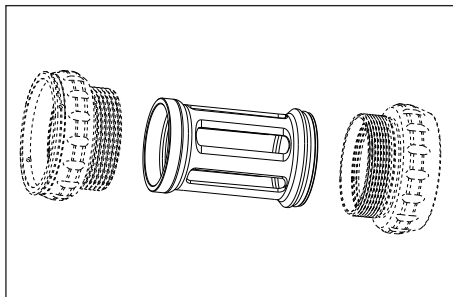
CN-RE400

HD-Link™ Ultra Narrow™ (5,9 mm) per catene C10™ Ultra Narrow™

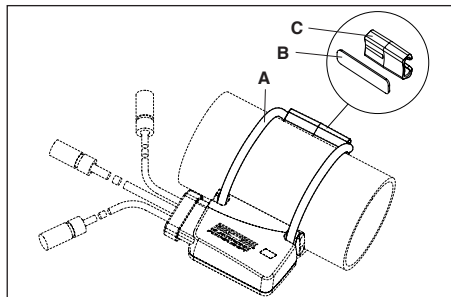
HD-Link™ Ultra Narrow™ (5,9 mm) for C10™ Ultra Narrow™ chains

HD-Link™ Ultra Narrow™ (5,9 mm) pour chaînes C10™ Ultra Narrow™ chains

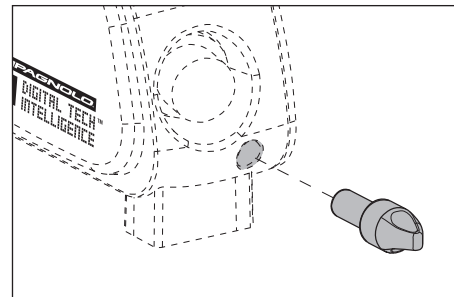
HD-Link™ Ultra Narrow™ (5,9 mm) für C10™ Ultra Narrow™ Kette



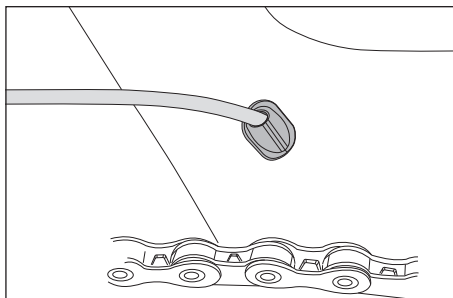
EPS-001
Cilindro guida-cavi
BB cable guide



EPS-002
Accessori montaggio sistema di interfaccia (A+B+C)
Kit for interface assembly (A+B+C)

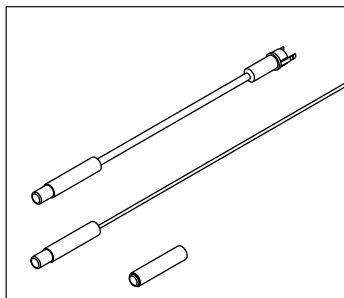


EPS-003
Magnete spegnimento sistema di potenza (5 pz.)
Switch-off magnet (5 pcs.)



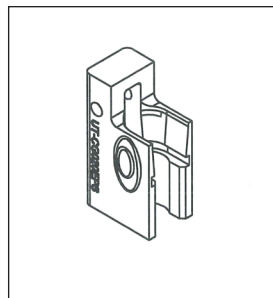
CG-CS001EPS
Gommino passacavi (20 pz.)
Grommet for cables (20 pcs.)

CG-CS002EPS
Gommino passacavi per Power Unit (10 pz.)
Grommet for Power Unit cables (20 pcs.)



UT-CG010EPS
Kit magneti passacavi SR-RE
Cable run magnet kit SR-RE

UT-CG010ATEPS
Kit magneti passacavi AT
Cable run magnet kit AT

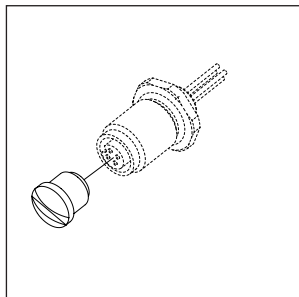


UT-CG020EPS
Attrezzo apri-connettori SR-RE
Connector disconnection tool SR-RE



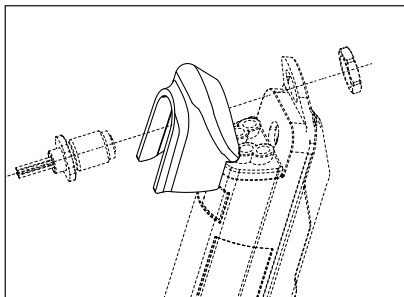
UT-CG120ATEPS
Attrezzo apri-connettori AT
Connector disconnection tool AT

EPS V2 POWER UNIT



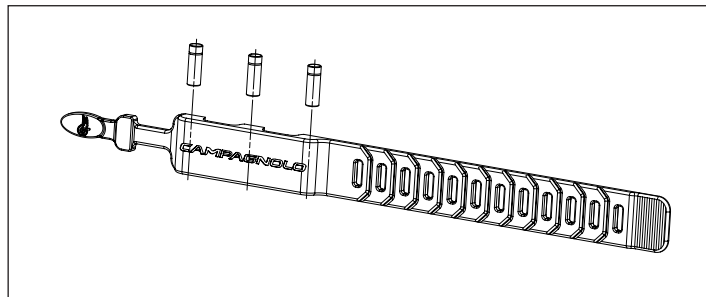
EPS-004
Tappo connettore carica batterie
PU EPS V2 (5 pz)

PU EPS V2 connector cup (inter-
nal mount) (5 pcs)

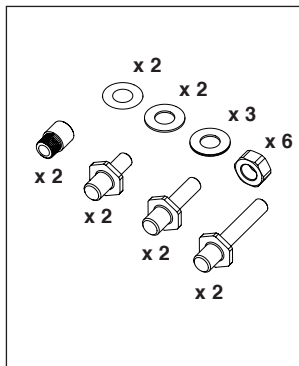


EPS-005
Cappuccio per installazione est. PU EPS V2
(5pz)

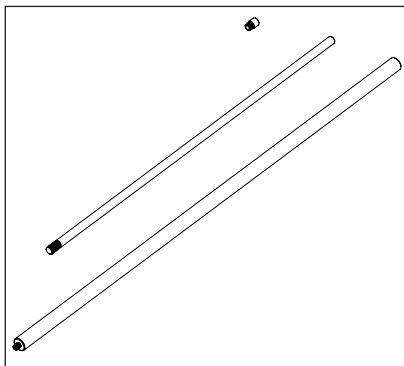
PU EPS V2 external mount connecor cap
(5pcs)



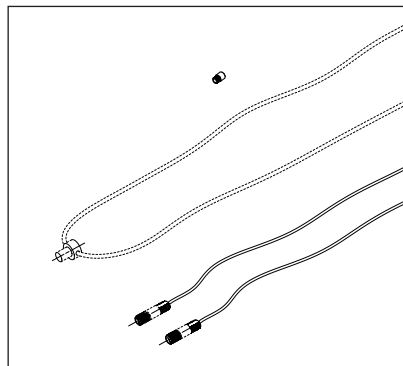
EPS-006
Fascia spegnimento magnetica
Magnetic power block strap



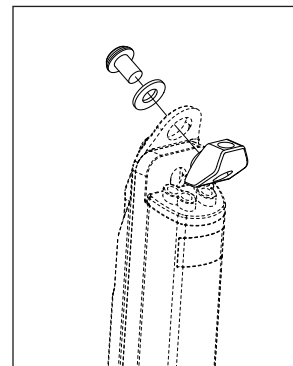
EPS-107
Kit viti Power Unit EPS V2
EPS V2 Power Unit screws kit



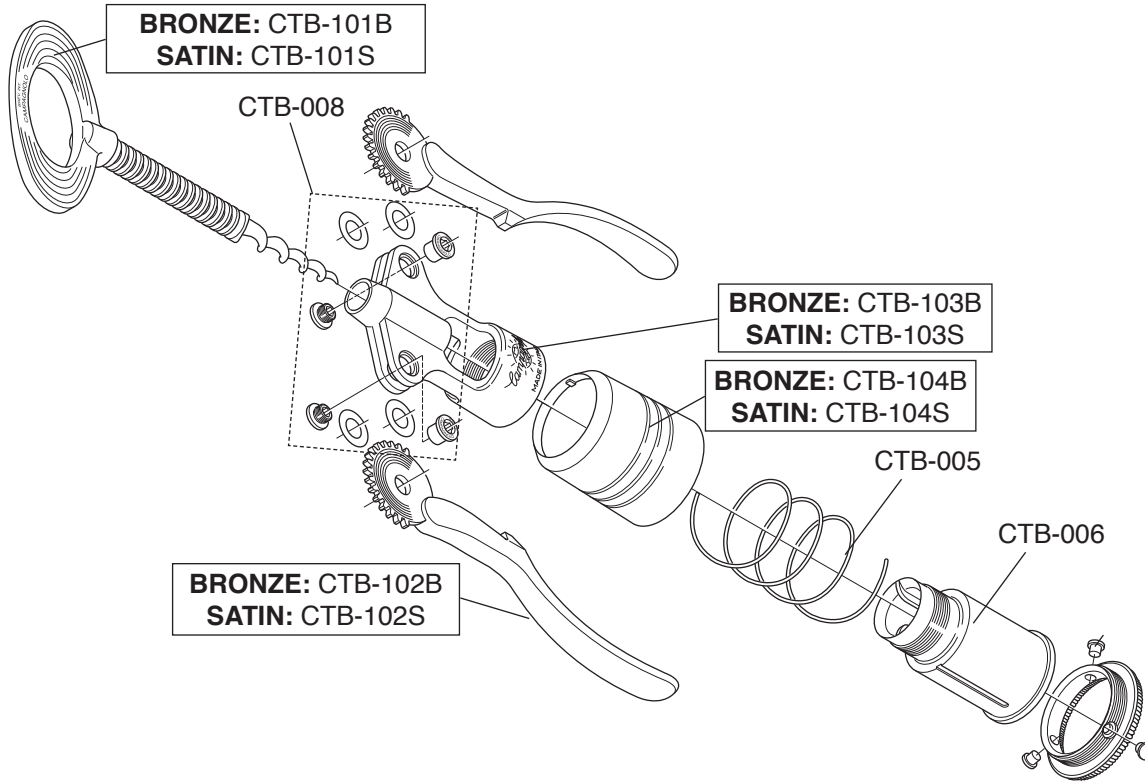
UT-PU010
Kit installazione interna PU EPS V2
EPS V2 PU internal installation tool



UT-PU030
Kit installazione tubo obliquo
PU EPS V2
EPS V2 PU down-tube
installation tool



UT-PU020
Adattatore per installazione
rovesciata PU EPS V2
EPS V2 PU internal upside-
down installation adapter



HEADQUARTERS

BRANCH OFFICES

AGENCIES

CAMPAGNOLO S.R.L.

Via della Chimica, 4
36100 Vicenza - ITALY
Tel. +39-0444-225500
Fax: +39-0444-225400
E-mail: sales@campagnolo.com

FRANCE

CAMPAGNOLO FRANCE SAS
ZA du Tissot - 42530 St GENEST -
LERPT
Tel. +33-477-556305
Fax: +33-477-556345
E-mail: campagnolo@campagnolo.fr

GERMANY

CAMPAGNOLO DEUTSCHLAND
GMBH
Alte Garten 62
51371 LEVERKUSEN
Tel. +49-214-206953-0
Fax: +49-214-206953-15
E-mail: campagnolo@campagnolo.de

JAPAN

CAMPAGNOLO JAPAN LTD
65 Yoshida-cho, Naka-ku,
YOKOHAMA
231-0041
Tel. +81-45-264-2780
Fax: +81-45-241-8030
E-mail: info@campagnolo.jp

SPAIN

CAMPAGNOLO IBERICA S.L.
Avda. de Los Huetos 46. pab, 3-2ª fila
01010 VITORIA
Tel. +34-945-217195
Fax: +34-945-217198
E-mail: campagnolo@campagnolo.es

TAIWAN

PRIMATEK LTD
No. 4, Gongyequ 10th Rd., Nantue
Dist.,
TAICHUNG CITY 408 - TAIWAN
(R.O.C.)
Tel. +886-4-23506831
Fax: +886-4-23596764

UNITED STATES

CAMPAGNOLO NORTH AMERICA
INC.
5431 Avenida Encinas, Suite C -
CARLSBAD CA 92008 - U.S.A.
Tel. +1-760-9310106
Fax: +1-760-9310991
E-mail: info@campagnolona.com

BENELUX

INTERNATIONAL
CYCLE CONNECTION I.C.C.
Communicatielaan 5A
4538 BV TERNEUZEN
NEDERLANDS
Tel. + 31 (0)115 649321
Fax: + 31 (0)115 649110
E-mail: info@i-c-c.nl
Web: www.i-c-c.nl

UNITED KINGDOM

SELECT CYCLE COMPONENTS
The White House
Main Street
NEWTON NI13 8HN - ENGLAND
Tel. +44-0780260628
E-mail: rosafio@selectcyclecompo-
nents.com